

# Series 330

## SPECIFICATIONS

## 技術資料

### Terminal Blocks for PC-Boards Machined Type Insert (330系列)

印刷線路板用接線端子座 - 車床銅柱

45° Wire Inlet Type - 45° Screw, Spacing 5.0mm or 10.0mm,  
Height Over PC-Board 12.5mm

45度入線型 - 間距5.0mm或10.0mm · 殼體高度12.5mm



330-031-12-00



### MATERIAL 材料

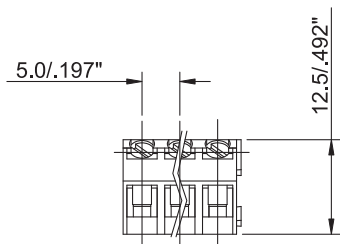
- **Contact 觸點(metal housing 金屬殼體):**  
Brass, Tin plated / 黃銅 · 銅錫電鍍
- **Terminal Screw 螺絲:**  
Steel galvanized and chromated / 鋼 · 五彩電鍍
- **Surface of Solder Tail 針腳電鍍:**  
Tin plated / 鍍錫
- **Insulator Body 絕緣體(housing 殼體)**  
Poly Butylene Terephthlene, PBT (30% Glass filled) (UL 94 V-0)

### ELECTRICAL 電機方面

- **Current Rating 工作電流:** 16 Amp
- **Dielectric Strength 電介質:** 2500V
- **Rated Voltage 額定電壓:** 300V
- **AWG 適用線號:** 22 - 14
- **Resistance to Tracking 絕緣阻值:** 5MΩ
- **Insulation Withstands Voltage 耐電壓:** AC1500V/Min
- **Rated Cross Section 額定線徑:** 1.5mm<sup>2</sup>
- **Rated Cross Range 額定線徑:** 0.5 - 1.5mm<sup>2</sup>
- **Stripping Length 剝線長度:** 6.0 - 6.5mm

### MECHANICAL 機械方面

- **Operating Temperature 工作溫度:** -30°C to +120°C
- **Short Time Peak Temperature 短暫能容溫度:** +200°C max



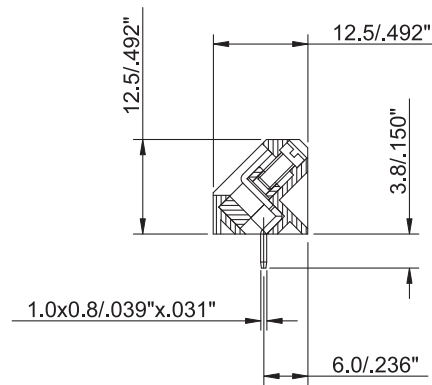
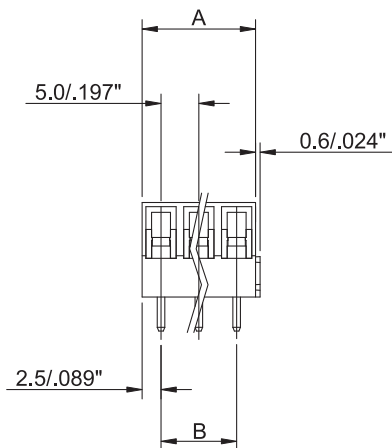
PITCH	Dimension A	Dimension B
5mm	n x 5	(n - 1) x 5
10mm	n x 10	(n - 1) x 10

**\*\* Notice:**  
To avoid accumulating tolerance-variations of Terminal Blocks, limit the number of contacts to no more than 24 contacts per row

**Recommended PC-Board-Holes**  
diameter : Ø1.2mm to Ø1.4mm  
n = number of contacts

**\*\* 為防止累積公差過大，接線端子座建議每排不超過24位**

建議底孔直徑：Ø1.2mm 至 Ø1.4mm  
n = 觸點的數量



## HOW TO ORDER 排序整理

