

Jumpers

F2571 = Product group; Product group discount F 25 7_

Jumpers

Colour: Black

Pitch: 2mm

Series: MINIJUMP

Features

- Closed version
- For pin cross section 0,5x0,5mm
- RoHS compliant

Technical Specifications

Insulation Shell:PBT +30% Glass-filled, UL94 V-0
 Contacts:Phosphor-Bronze
 Contact Surface:Gold Flash Over Nickel
 Rated Current:3A
 Voltage:250V AC
 Contact Resistance:12MΩ
 Insulation Resistance (500V DC), Min.:1GΩ

Terms of Delivery

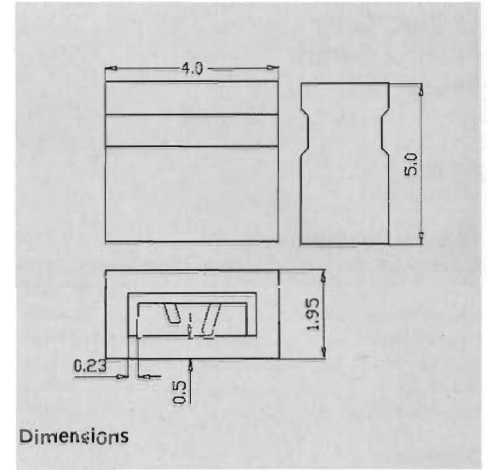
Minimum order quantity: 1 PKU = 100 pieces

Manufacturer: Various

Part Nr.	Part description
MINIJUMP-SW	Jumper P=2mm Black



MINIJUMP-SW



Dimensions

F2573 = Product group; Product group discount F 25 7_

Jumpers

Colours: Black, Red

Pitch: 2,54mm

Series: JUMP_

Features

- For pin cross sections 0,635x0,635mm
- In open and closed versions
- Available in red and black
- RoHS compliant

Technical Specifications

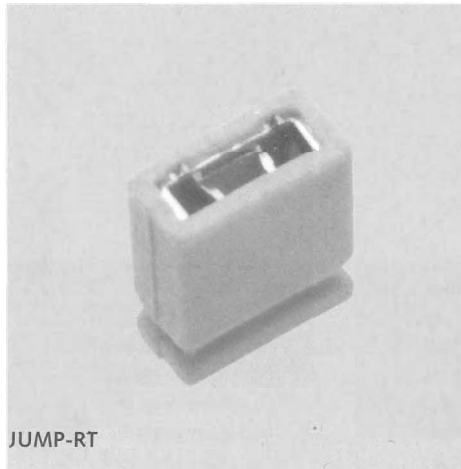
Insulation Shell:PBT +30% Glass-filled, UL94V-0
 Contacts:Phosphor-Bronze
 Contact Surface:5μ" Gold Over Nickel
 Rated Current:3A
 Voltage:250V AC
 Insulation Resistance (500V DC), Min.:1x10¹⁰MΩ

Terms of Delivery

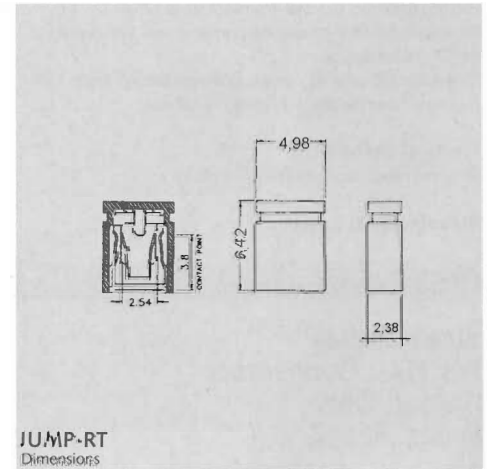
Minimum order quantity: 1 PKU = 100 pieces

Manufacturer: Various

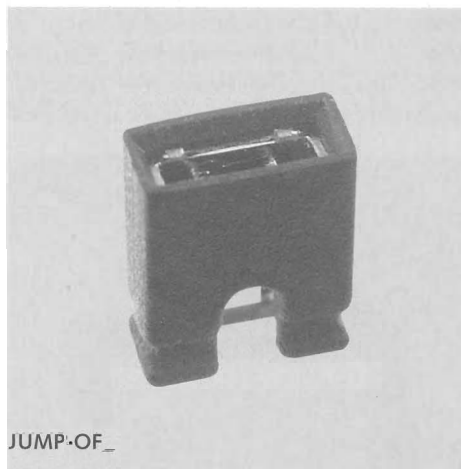
Part Nr.	Part description
JUMP-RT	Jumper P=2,54mm Red
JUMP-SW	Jumper P=2,54mm Black
JUMP-OFRT	Jumper Open P= 2,54mm Red
JUMP-OF5W	Jumper Open P=2,54mm Black



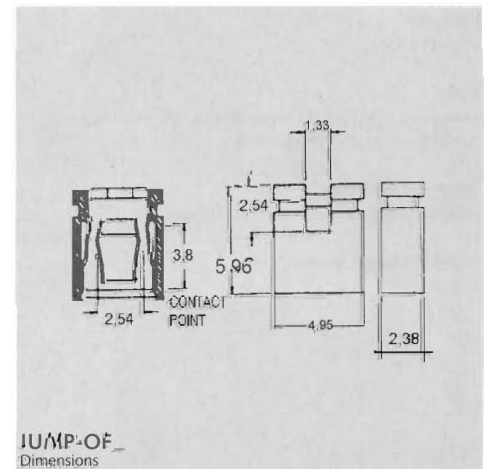
JUMP-RT



JUMP-RT
Dimensions



JUMP-OF_



JUMP-OF_
Dimensions