

D2341 = Product group; Product group discount D 23 4_

TALEMA SMD Signal Chokes

Series: CMM

Application

- For data and signal line EMI suppression

Features

- Current compensated toroidal chokes double and quad
- SMD design
- Gold plated terminals ensure excellent solderability
- High attenuation over a wide frequency range
- RoHS compliant

Technical Specifications

Part Nr.	L_N [μ H]	I_N [mA]	L_L [μ H]	R_{DC} [m Ω]
CMM470-2	47	500	0.20	130
CMM101-2	100	500	0.25	260
CMM102-2	1000	500	0.25	250
CMM472-2	4700	200	0.50	840
CMM470-4	47	500	0.25	180
CMM101-4	100	500	0.30	330
CMM102-4	1000	500	0.35	310
CMM472-4	4700	200	0.70	860

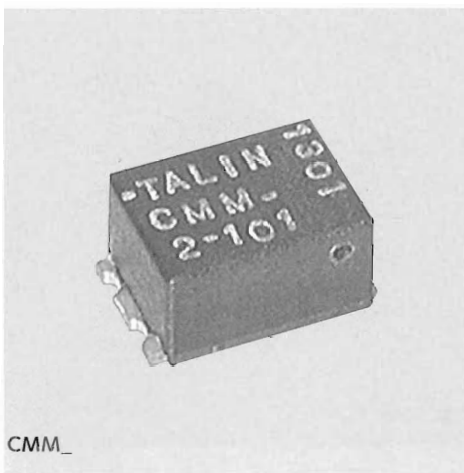
L_N = Load Inductivity +50%/-30%, I_N = Rated Current, L_L = Leak Inductivity, R_{DC} = DC Resistance

Terms of Delivery

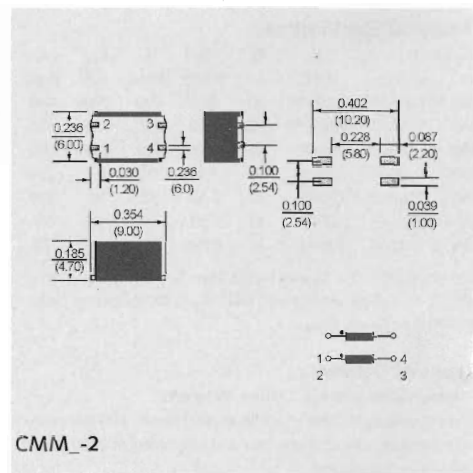
Minimum order quantity: 1 PKU = 10 pieces

Manufacturer:  Talema
<http://www.talema.de>

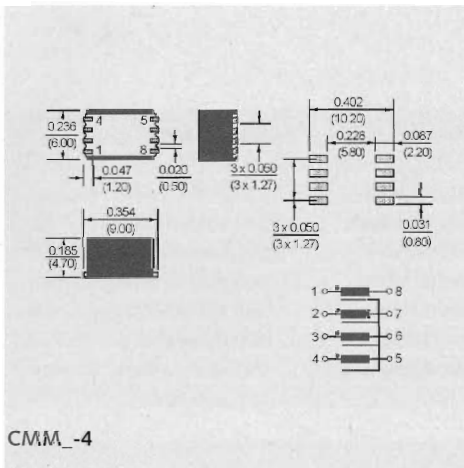
Part Nr.	Part description
CMM470-2	SMD Choke 2x47uH
CMM101-2	SMD Choke 2x100uH
CMM102-2	SMD Choke 2x1000uH
CMM472-2	SMD Choke 2x4700uH
CMM470-4	SMD Choke 4x47uH
CMM101-4	SMD Choke 4x100uH
CMM102-4	SMD Choke 4x1000uH
CMM472-4	SMD Choke 4x4700uH



CMM_



CMM_-2



CMM_-4