

Ceramic Suppression Capacitors

C5315 = Product group; Product group discount C 53 1_

JYA-NAY Ceramic Suppression Capacitors

Style: Bulk
Class: X1, Y2
Pitch: 7,5mm
Series: JY

New Products

Features

- Minimum reinforced insulation 0,4mm
- Coated with flame-retardant epoxy resin conforming to UL94-0
- High operating temperature up to 125°C (UL/CSA: 85°C)
- RoHS compliant

Technical Specifications

Rated Voltage (50/60Hz)

X1:440V AC (UL/CSA 250V AC)

Y2:250V AC

Temperature Range

Y5P, Y5V:-25...+85°C

Y5U:-25...+125°C

Test Voltage (1 Min.):2600V AC

Insulation Resistance:1000MΩ

Dissipation Factor Tan δ (1kHz, 1rms, 25°C):≤2,5%

Pitch (F):7,5mm

Body Thickness (T):8mm

Lead Wire Diameter (D):0,65±0,05mm

Part Nr.	C _N [pF]	Temp. Char.	Material	Tol. [%]	D _{Max} [mm]	P [mm]
JY08PF150F	150	B (±10%)	Y5P	±10	8,0	7,5
JY08PF470F	470	B (±10%)	Y5P	±10	8,0	7,5
JY10NF001F	1000	B (±10%)	Y5P	±10	10,0	7,5
JN09NF001,5F	1500	F (+30/-80)%	Y5V	±20	9,0	7,5
JN10NF002,2F	2200	F (+30/-80)%	Y5V	±20	10,0	7,5
JN12NF003,3F	3300	F (+30/-80)%	Y5V	±20	12,0	7,5
JN14NF004,7F	4700	F (+30/-80)%	Y5V	±20	14,0	7,5

C_N = Rated Capacitance, Temp. Char. = Temperature Characteristics, Mat. = Ceramic Material, Tol. = Capacitance Tolerance,

Norms

EN132400:1994, IEC384-12 2nd Ed(1993), IEC60384-14 2nd Ed., UL1414, C22.2 No.1

Approvals



Terms of Delivery

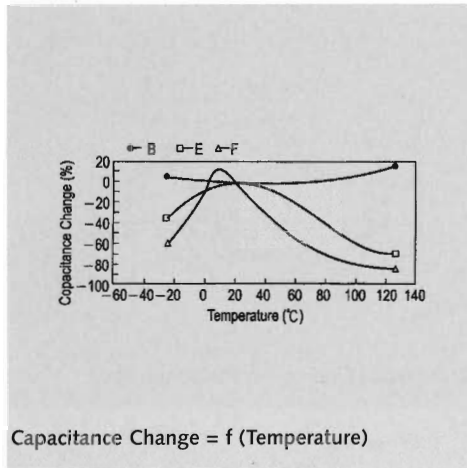
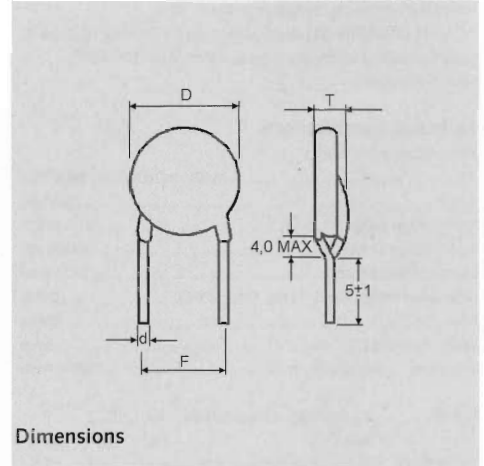
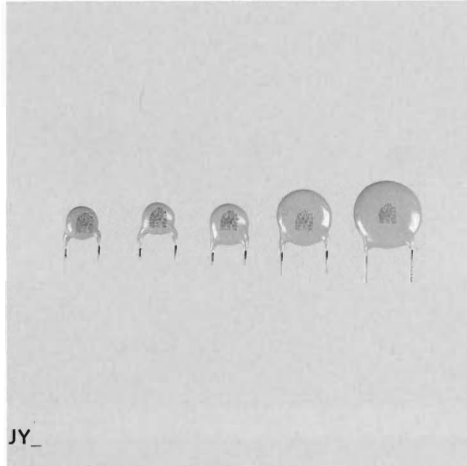
Minimum order quantity: 1 PKU = 50 pieces

Form of delivery: Bulk

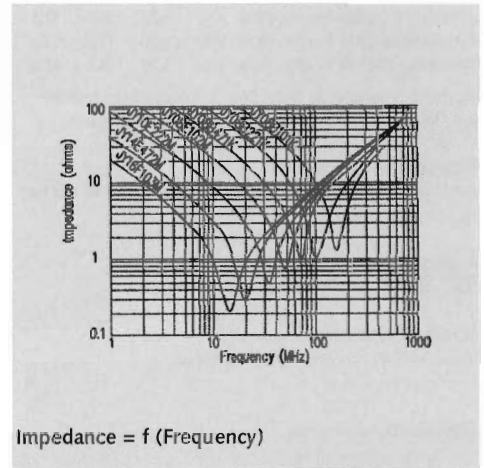
Manufacturer: Jya-Nay

<http://www.jyanay.com.tw>

Part Nr.	Part description
JY08PF150F	! Cer Capacitor 150pF X1/Y2 P7,5
JY08PF470F	! Cer Capacitor 470pF X1/Y2 P7,5
JY10NF001F	! Cer Capacitor 1nF X1/Y2 P7,5
JY08NF001,5F	! Cer Capacitor 1,5nF X1/Y2 P7,5
JY09NF002,2F	! Cer Capacitor 2,2nF X1/Y2 P7,5
JY10NF003,3F	! Cer Capacitor 3,3nF X1/Y2 P7,5
JY12NF004,7F	! Cer Capacitor 4,7nF X1/Y2 P7,5



Capacitance Change = f (Temperature)



Impedance = f (Frequency)