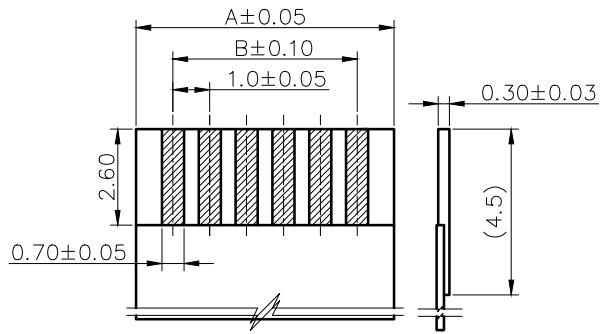
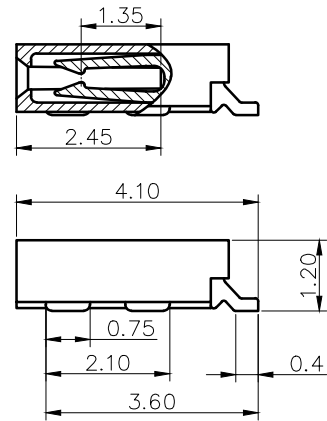
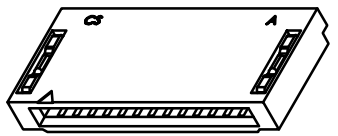
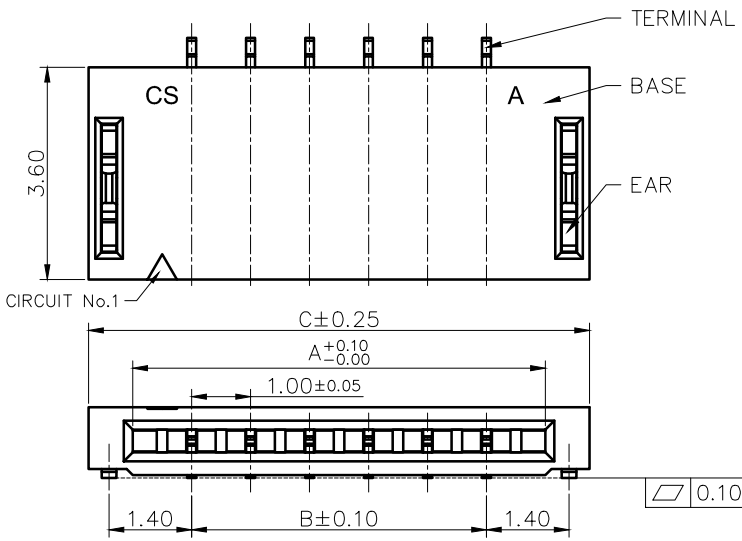


A4



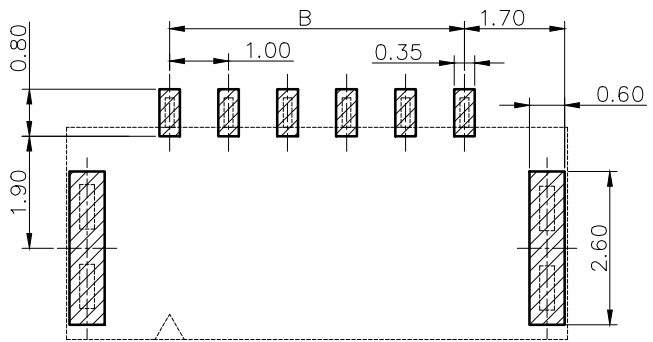
APPLICABLE FFC
RECOMMENDED DIM

REV.	ECN NO.	REVISIONS	REV.DRAWN	DATE
A		正式版发行	Asimo	2010/08/25
B		更正发行	sunquan	2012/05/10
C		增加电镀膜厚规格	sunquan	2012/06/04

NOTE:
 1. MATERIAL:
 BASE: HIGH-TEMP THERMOPLASTIC COLOR: NATURE
 TERMINAL & EAR: COPPER ALLOY (GOLD & TIN PLATED)
 2. PART NO.
 JS-1006-XXXX-XX
 POLES: 2~32
 — BLANK: NORMAL
 — NH: HALOGEN FREE
 — BLANK: TIN PLATED
 — SN > 100μ" NI > 30μ"
 — GO: GOLD PLATED
 — AU > 0.8μ" NI > 30μ"
 — M: (MATTE TIN)
 — SN > 100μ" NI > 30μ"

3. HALOGEN FREE PRODUCT IDENTIFICATION LOGO ON THE PACKING

Poles	A	B	C	Poles	A	B	C
2	3.00	1.00	4.50	17	18.00	16.00	19.50
3	4.00	2.00	5.50	18	19.00	17.00	20.50
4	5.00	3.00	6.50	19	20.00	18.00	21.50
5	6.00	4.00	7.50	20	21.00	19.00	22.50
6	7.00	5.00	8.50	21	22.00	20.00	23.50
7	8.00	6.00	9.50	22	23.00	21.00	24.50
8	9.00	7.00	10.50	23	24.00	22.00	25.50
9	10.00	8.00	11.50	24	25.00	23.00	26.50
10	11.00	9.00	12.50	25	26.00	24.00	27.50
11	12.00	10.00	13.50	26	27.00	25.00	28.50
12	13.00	11.00	14.50	27	28.00	26.00	29.50
13	14.00	12.00	15.50	28	29.00	27.00	30.50
14	15.00	13.00	16.50	29	30.00	28.00	31.50
15	16.00	14.00	17.50	30	31.00	29.00	32.50
16	17.00	15.00	18.50	31	32.00	30.00	33.50
				32	33.00	31.00	34.50



RECOMMENDED P.C.B LAYOUT (TOP VIEW)

GENERAL TOLERANCE: ±0.05

X. ± 0.50	X.* ± 5.0°	UNITS: mm	NAME (INTENDED USE):	
.X ± 0.20	.X.* ± 2.0°	MATERIAL:	CUSTOMER	
.XX ± 0.10	.XX.* ± 1.0°	SEE NOTE	PART NO. (INTENDED USE):	TITLE:
.XXX ± 0.05	.XXX.* ± 0.5°	FINISH:	JS-1006-XX	1.00mm Pitch NON-ZIF FPC Connector SMT R/A <H=1.2mm>
THESE DRAWINGS AND SPECIFICATIONS ARE THE PROPERTY OF CHYAO SHUINN ELECTRONIC CO., LTD. AND SHALL NOT BE REPRODUCED, COPIED OR USED IN ANY MANNER WITHOUT THE PRIOR WRITTEN CONSENT OF CHYAO SHUINN ELECTRONIC CO., LTD.		SEE NOTE	APPD:	DWG NO.:
		Q'TY:	CHKD:	020-0134-1006-XX
		SEE NOTE	DR:	Asimo 2010/08/25
				SCALE SHEET REV.
				8:1 1/1 C

符合环境管理物质

