



LEDTECH ELECTRONICS CORP.

(Zone 22) North Guiyuan Rd, West Jixi Rd,  
Duanzhou District, Zhaoqing City, Guangdong  
Province, P. R. China  
TEL:86-758-2875541,2870651,2877464,2876185,2877017  
FAX:86-758-2878014  
[Http://www.ledtech.com.tw](http://www.ledtech.com.tw)

# SPECIFICATION

*PART NO. : LT0421-21*

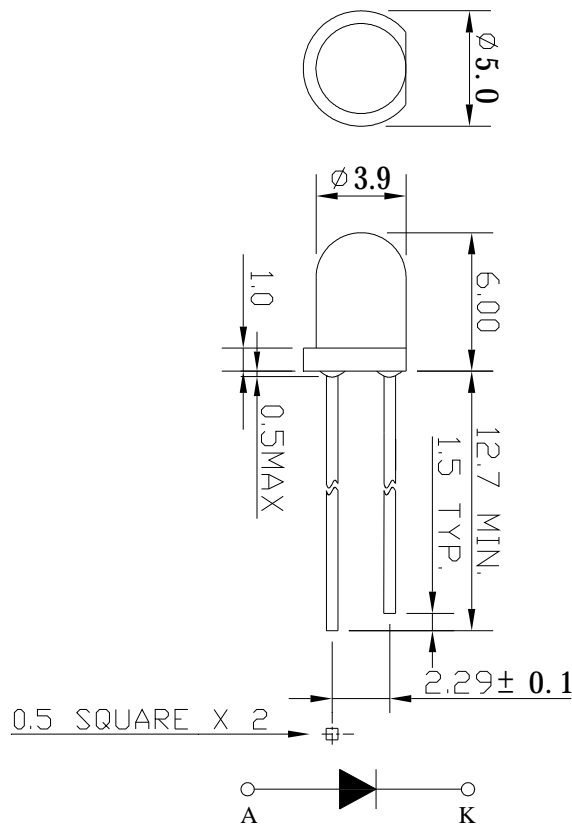
**3.9mm ROUND LED LAMP**



| Approved by | Checked by  | Prepared by    |
|-------------|-------------|----------------|
| <i>Yue</i>  | <i>Lian</i> | <i>Min Bao</i> |

**Description**

**This green lamp is made with GaP/GaP chip and green diffused epoxy resin.**



**Notes:**

1. All dimensions are in mm.
2. The specifications, characteristics and technical data described in the datasheet are subject to change without notice.
3. Tolerance is  $\pm 0.25$ mm unless otherwise noted.

**Description**

| Part No.  | LED Chip |                | Lens Color     |
|-----------|----------|----------------|----------------|
|           | Material | Emitting Color |                |
| LT0421-21 | GaP/GaP  | Green          | Green diffused |

**Absolute Maximum Ratings at Ta=25°C**

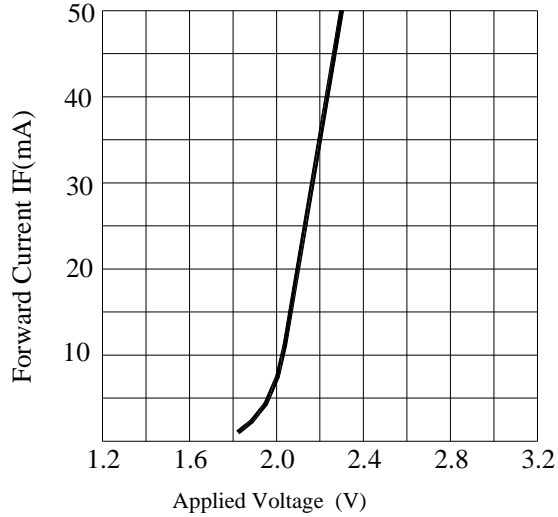
| Parameter                                       | Symbol                | Rating                                                                | Unit |
|-------------------------------------------------|-----------------------|-----------------------------------------------------------------------|------|
| Power Dissipation                               | PD                    | 78                                                                    | mW   |
| Reverse Voltage                                 | V <sub>R</sub>        | 5                                                                     | V    |
| D.C. Forward Current                            | I <sub>f</sub>        | 30                                                                    | mA   |
| Reverse (Leakage) Current                       | I <sub>r</sub>        | 100                                                                   | μA   |
| Peak Current(1/10Duty Cycle,0.1ms Pulse Width.) | I <sub>f</sub> (Peak) | 100                                                                   | mA   |
| Operating Temperature Range                     | T <sub>opr.</sub>     | -25 to +85                                                            | °C   |
| Storage Temperature Range                       | T <sub>stg.</sub>     | -40 to +100                                                           | °C   |
| Soldering Temperature(1.6mm from body)          | T <sub>sol.</sub>     | Dip Soldering : 260°C for 5 sec.<br>Hand Soldering : 350°C for 3 sec. |      |

**Electrical and Optical Characteristics:**

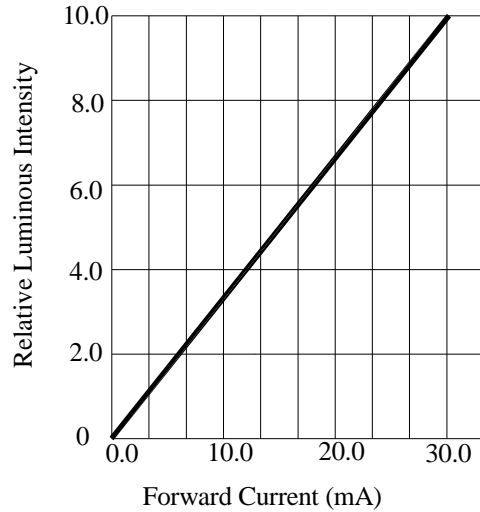
| Parameter                 | Symbol         | Condition            | Min. | Typ. | Max. | Unit |
|---------------------------|----------------|----------------------|------|------|------|------|
| Luminous Intensity        | I <sub>v</sub> | I <sub>f</sub> =20mA | 3.0  | 6.5  |      | mcd  |
| Forward Voltage           | V <sub>f</sub> | I <sub>f</sub> =20mA |      | 2.1  | 2.6  | V    |
| Peak Wavelength           | λ <sub>p</sub> | I <sub>f</sub> =20mA |      | 567  |      | nm   |
| Dominant Wavelength       | λ <sub>d</sub> | I <sub>f</sub> =20mA |      | 572  |      | nm   |
| Reverse (Leakage) Current | I <sub>r</sub> | V <sub>r</sub> =5V   |      |      | 100  | μA   |
| Viewing Angle             | 2θ 1/2         | I <sub>f</sub> =20mA |      | 85   |      | deg  |
| Spectrum Line Halfwidth   | Δλ             | I <sub>f</sub> =20mA |      | 30   |      | nm   |

- Notes:1. Tolerance of Luminous Intensity is ±15%  
2. Tolerance of Forward Voltage is ±0.1V  
3. Tolerance of Dominant Wavelength is ±1nm  
4. Customer's special requirements are also welcome.

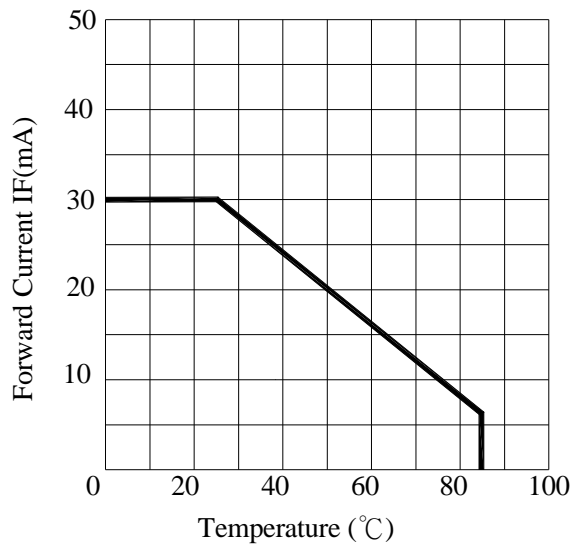
**Typical Electrical / Optical Characteristics Curves :**



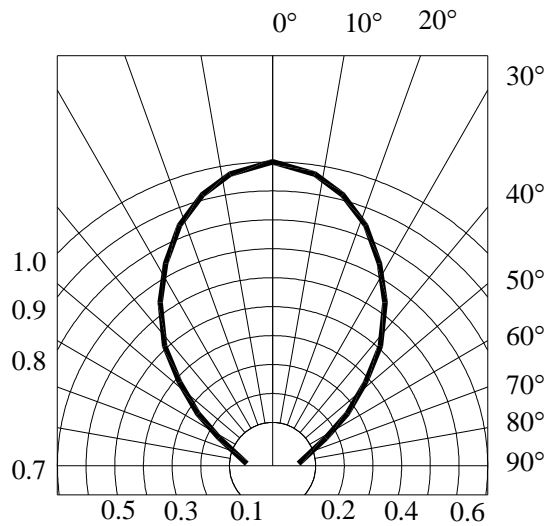
**FORWARD CURRENT VS. APPLIED VOLTAGE**



**FORWARD CURRENT VS. LUMINOUS INTENSITY**



**FORWARD CURRENT VS. AMBIENT TEMPERATURE**



**RADIATION DIAGRAM**

## Precautions:

### TAKE NOTE OF THE FOLLOWING IN USE OF LED

#### 1. Temperature in use

Since the light generated inside the LED needs to be emitted to outside efficiently, a resin with high light transparency is used; therefore, additives to improve the heat resistance or moisture resistance (silica gel, etc) which are used for semiconductor products such as transistors cannot be added to the resin. Consequently, the heat resistant ability of the resin used for LED is usually low; therefore, please be careful on the following during use. Avoid applying external force, stress, and excessive vibration to the resins and terminals at high temperature. The glass transition temperature of epoxy resin used for the LED is approximately 120-130°C. At a temperature exceeding this limit, the coefficient of linear expansion of the resin doubles or more compared to that at normal temperature and the resin is softened. If external force or stress is applied at that time, it may cause a wire rupture.

#### 2. Soldering

Please be careful on the following at soldering.

After soldering, avoid applying external force, stress, and excessive vibration until the products go to cooling process (normal temperature), <Same for products with terminal leads>

##### (1) Soldering measurements:

Distance between melted solder side to bottom of resin shall be 1.6mm or longer.

##### (2) Dip soldering :

Pre-heat: 90°C max. (Backside of PCB), Within 60 seconds.

Solder bath: 260±5°C (Solder temperature), Within 5 seconds.

##### (3) Hand soldering: 350°C max. (Temperature of soldering iron tip), Within 3 seconds.

#### 3. Insertion

Pitch of the LED leads and pitch of mounting holes need to be same.

#### 4. Others

Since the heat resistant ability of the LED resin is low, SMD components are used on the same PCB, please mount the LED after adhesive baking process for SMD components. In case adhesive baking is done after LED lamp insertion due to a production process reason, make sure not to apply external force, stress, and excessive vibration to the LED and follow the conditions below.

Baking temperature: 120°C max. Baking time: Within 60 seconds. If soldering is done sequentially after the adhesive baking, please perform the soldering after cooling down the LED to normal temperature.

## Disclaimer

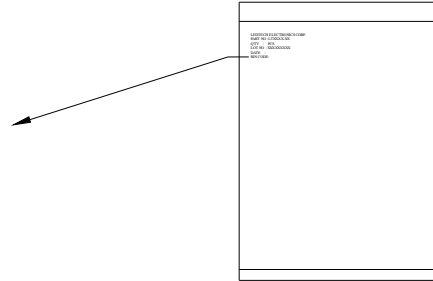
1. Our department reserves the right(s) on the adjustment of product material mix for the specification.
2. The product meets our department published specification for a period of twelve (12) months from date of shipment.
3. The graphs shown in this datasheet are representing typical data only and do not show guaranteed values.
4. When using this product, please observe the absolute maximum ratings and the instructions for using outlined in these specification sheets. Our department assumes no responsibility for any damage resulting from the use of the product which does not comply with the absolute maximum ratings and the instructions included in these specification sheets.
5. These specification sheets include materials protected under copyright of our department. Reproduction in any form is prohibited without obtaining our department's prior consent.

This product is not intended to be used for military, aircraft, automotive, medical, life sustaining or life saving applications or any other application which can result in human injury or death. Please contact authorized our department sales agent for special application request.

ENCASED TYPE

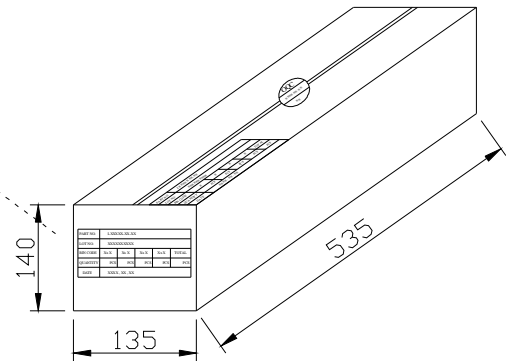
PLASTIC PACKAGE  
 QUANTITY: 1000 PCS

|                           |   |            |  |  |  |
|---------------------------|---|------------|--|--|--|
| LEDTECH ELECTRONICS CORP. |   |            |  |  |  |
| PART NO :LTXXXX-XX        |   |            |  |  |  |
| Q'TY                      | : | PCS        |  |  |  |
| LOT NO                    | : | XXXXXXXXXX |  |  |  |
| DATE                      | : |            |  |  |  |
| BIN CODE:                 |   |            |  |  |  |



INNER BOX  
 QUANTITY: 20 PACKETS  
 TOTAL: 20,000 PCS

|          |                |      |      |      |       |
|----------|----------------|------|------|------|-------|
| PART NO. | LXXXXX-XX-XX   |      |      |      |       |
| LOT NO.  | XXXXXXXXXX     |      |      |      |       |
| BIN CODE | Xx X           | Xx X | Xx X | Xx X | TOTAL |
| QUANTITY | PCS            | PCS  | PCS  | PCS  | PCS   |
| DATE     | XXXX , XX , XX |      |      |      |       |



OUTER CARTON  
 QUANTITY: 4 BOX  
 TOTAL: 80,000 PCS

|                |              |
|----------------|--------------|
| C/T NO.<br>箱號  | XX           |
| PART NO.<br>料號 | LXXXXX-XX-XX |
| QUANTITY<br>數量 | PCS          |
| N.W.<br>淨重     | KGS          |
| G.W.<br>毛重     | KGS          |
| REMARK<br>備註   |              |

