

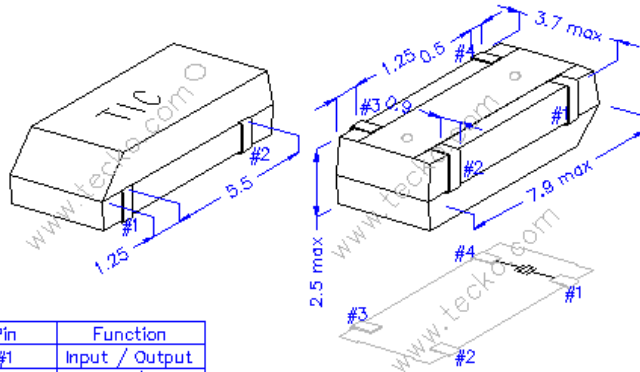
Crystal Unit



Tuning Fork TM200 . TM200A



- Reflowable type SMD with embossed tape
- Low current consumption
- Suitable for clock source in digital equipment



Pin	Function
#1	Input / Output
#4	Output / Input
#2, #3	Ground

Standard Parameter

	TM200
Frequency Range	32.768 KHz
Frequency Tolerance (at 25 °C)	±20ppm
Load Capacitance	12.5pF
Operating Temperature Range	-10 °C ~ +60 °C
Storage Temperature Range	-40 °C ~ +85 °C
Equivalent Resistance	50kΩ
Shunt Capacitance	2.0 pF max
Drive Level	1 μW max
Insulation Resistance	500MΩ min at DC100V ±15V
Aging (at 25 °C per year)	±5ppm

Standard Parameter

	TM200A
Frequency Range	32.768 KHz
Frequency Tolerance (at 25 °C)	±20ppm
Load Capacitance	12.5Pf
Operating Temperature Range	-40 °C ~ +85 °C
Storage Temperature Range	-55 °C ~ +125 °C
Equivalent Resistance	50kΩ
Shunt Capacitance	2.0 pF max
Drive Level	1 μW max
Insulation Resistance	500MΩ min at DC100V ±15V
Aging (at 25 °C per year)	±5ppm