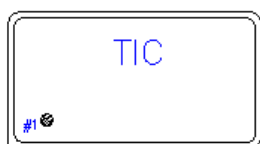
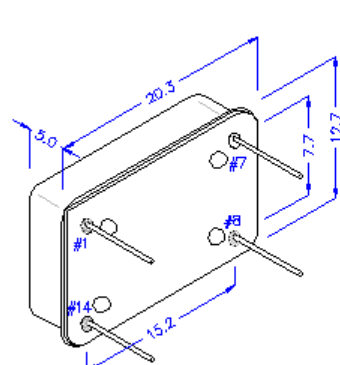


# Oscillator Unit

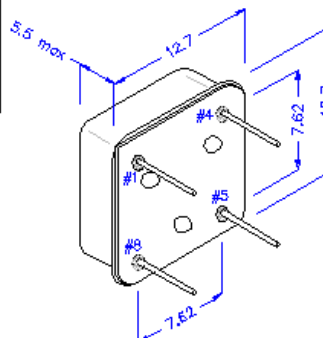


Dip Type



Pin No.	Connection
#1	N/C or Tri-State
#7	Ground
#8	Output
#14	VDD

Full Size



Pin No.	Connection
#1	N/C or Tri-State
#4	Ground
#5	Output
#8	VDD

Half Size

## Standard Parameter

Frequency Range	30.000 KHz ~ 220.000 MHz
Frequency Stability	±25ppm / ±50ppm / ±100ppm
Output Load	TTL / 15pF
Input Voltage	1.8V / 2.5V / 3.3V / 5.0V
Operating Temperature Range	0°C ~ +70°C
Storage Temperature Range	-40°C ~ +85°C / -55°C ~ +125°C
Input Current	Refer to the following table
Symmetry	60 / 40% to 40 / 60%
Rise / Fall Time	10ns max
Start Up Time	15ms max (30.000 KHz ~ 7.999 MHz) 10ms max (8.000 MHz ~ 220.000 MHz)
Aging per year	±5ppm

## Equivalent Input Current

Frequency Range	3.3 ± 0.33V	5.0 ± 0.5V
30.000 KHz ~ 3.999 MHz	10mA max	
4.000 MHz ~ 9.999 MHz	15mA max	
10.000 MHz ~ 39.999 MHz	20mA max	30mA max
40.000 MHz ~ 59.999 MHz	30mA max	60mA max
60.000 MHz ~ 89.999 MHz	40mA max	
90.000 MHz ~ 99.999 MHz	60mA max	80mA max
100.000 MHz ~ 220.000 MHz		