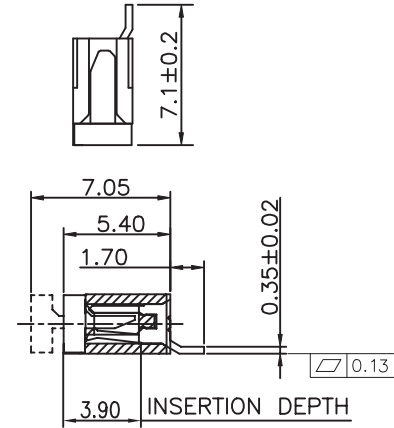
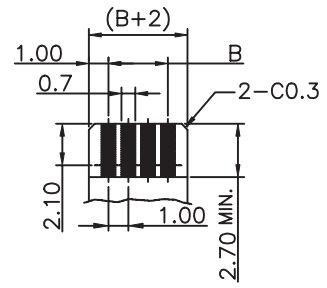


RECOMMENDED PCB LAYOUT - COMPONENT VIEW



SECT. A-A



APPLICABLE FFC LAYOUT (THICKNESS: 0.29 to 0.34)

MATERIAL:
 HOUSING MATERIAL: PPS
 COLOR: BEIGE
 ACTUATOR MATERIAL: PPS
 COLOR: BLACK
 CONTACT MATERIAL: PHOSPOR BRONZE
 CONTACT PLATING: 100µ TIN OVER 50µ NI
 QUALITY CLASS: 25 MATING CYCLES*

ENVIRONNEMENTAL:
 OPERATING TEMPERATURE: -25°C UP TO 85°C
 FLAMABILITY RATING: UL94-V0
 COMPLIANCE: LEAD FREE AND ROHS

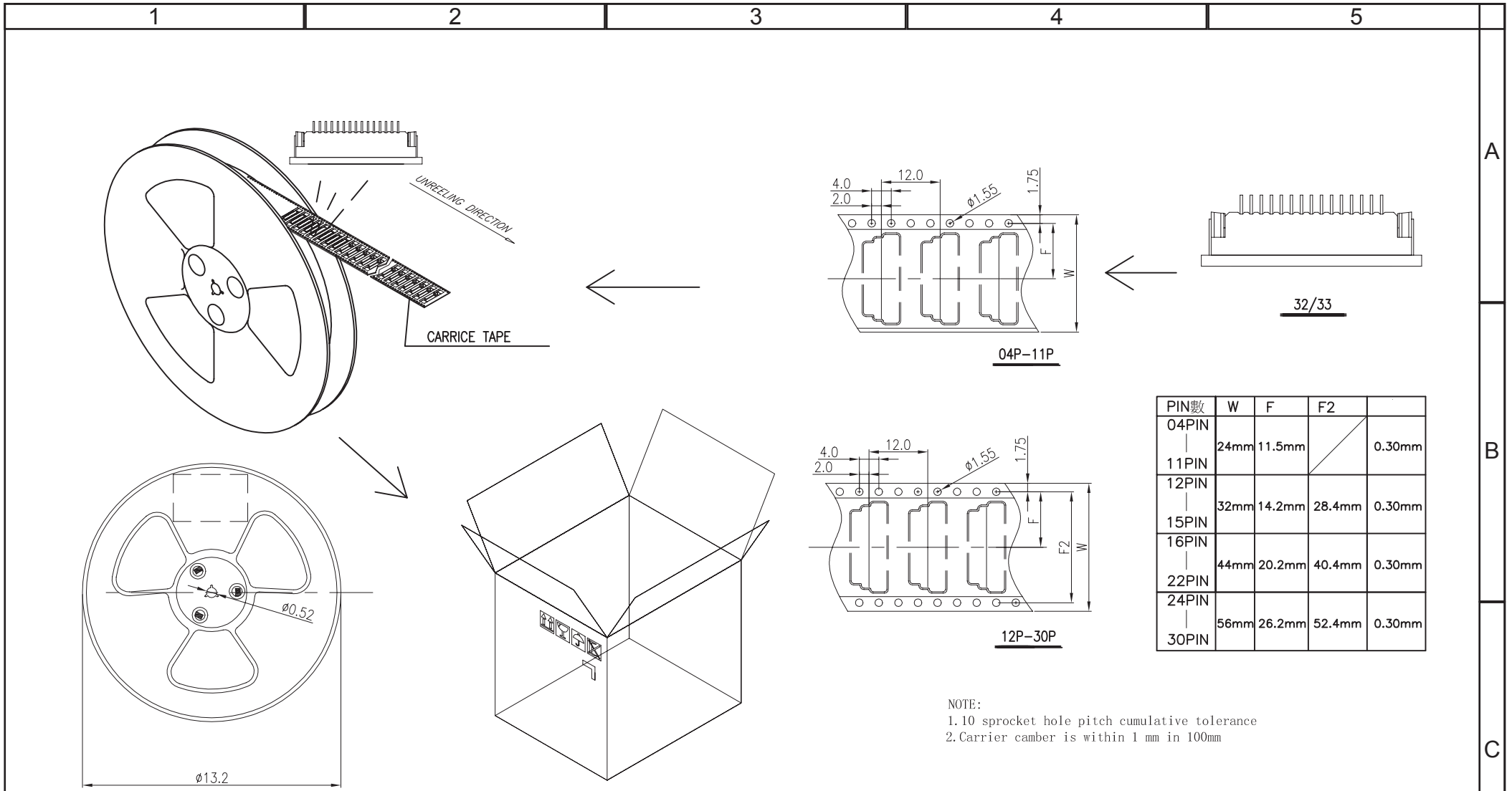
ELECTRICAL:
 CURRENT RATING: 1A
 WORKING VOLTAGE: 125V
 INSULATION RESISTANCE: >100MOHM
 DIELECTRIC WITHSTANDING VOLT.: 500VAC/MN
 CONTACT RESISTANCE: 20mOHM MAX

STANDARD
 CERTIFIED: E323964 / MODEL NUMBER 686
 FOLLOWED BY 1, FOLLOWED BY 03 THRU 30, FOLLOWED
 BY 141 OR 144, FOLLOWED BY NUMERIC DIGITS

SOLDERING:
 REFLOW PROCESS ONLY

DIMENSION:
 A = B + 8.00
 B = 1.00 x (NB PINS - 1)
 C = B + 2.1
 D = B + 6.00

RoHS Compliant		*NOTE: theoretical value related to the Tin plating; however, due to the sensitive actuator, we recommend not to make more than 1 or 2 cycles in order to maintain acceptable mechanical & electrical conditions			
				PROJECTION:	GENERAL TOLERANCE
					.X = +/- 0.2
					.XX = +/- 0.15
J	18-SEP-12	MC NOTE	GG	APPROVAL: RJ	UNIT: MM
I	28-JUN-12	COLOR	GG		SCALE:
H	26-JUN-12	DIM	GG		SHEET: 1/2
REV	DATE	FILE	BY		DRAW: PEARL
					DESCRIPTION: 1.0MM ZIF FPC HORIZONTAL BOTTOM CONTACT TYPE - TAPE & REEL PACKAGING
					WERI PART NO: 6861 xx 14422
					SIZE
					A4



PIN數	W	F	F2	
04PIN	24mm	11.5mm	/	0.30mm
11PIN				
12PIN	32mm	14.2mm	28.4mm	0.30mm
15PIN				
16PIN	44mm	20.2mm	40.4mm	0.30mm
22PIN				
24PIN	56mm	26.2mm	52.4mm	0.30mm
30PIN				

NOTE:
 1. 10 sprocket hole pitch cumulative tolerance
 2. Carrier camber is within 1 mm in 100mm

RoHS Compliant				PROJECTION:	GENERAL TOLERANCE		DESCRIPTION: 1.0MM ZIF FPC HORIZONTAL BOTTOM CONTACT TYPE - TAPE & REEL PACKAGING WERI PART NO: 6861 xx 14422	SIZE A4
G					.X = ± 0.2			
F					.XX = ± 0.15			
E								
D	29-JUL-08	INSERTION DEPTH	CH					
C	26-NOV-07	MODIFICATIONS	EC	APPROVAL: RJ				
B	14-MAR-07	CHARACTERISTIC	EC					
A	02-OCT-06	PDF	JP					
REV	DATE	FILE	BY					