

## FEATURES

- Input Voltage Range: 4.5V to 36V
- 40 $\mu$ A Supply Current
- 125mA Output Current
- 2.5V Reference Voltage
- Reference Output Sources 1mA and Sinks 0.5mA
- Dual Output Comparator
- Comparator Sinks 10mA
- Dropout Detector
- 0.2V Dropout Voltage
- Thermal Limiting
- Available in SO Package

## APPLICATIONS

- Battery Systems
- Battery Backup Systems
- Portable Terminals
- Portable Instruments

## DESCRIPTION

The LT<sup>®</sup>1020 is a combination micropower positive regulator and free collector comparator on a single monolithic chip. With only 40 $\mu$ A supply current, the LT1020 can supply over 125mA of output current. Input voltage range is from 4.5V to 36V and dropout voltage is 0.6V at 125mA. Dropout voltage decreases with lower load currents. Also included on the chip is a class B output 2.5V reference that can either source or sink current. A dropout detector provides an output current to indicate when the regulator is about to drop out of regulation.

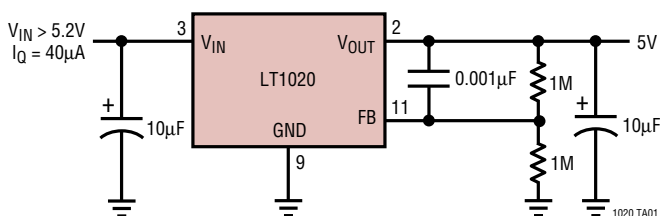
The dual output comparator can be used as a comparator for system or battery monitoring. For example, the comparator can be used to warn of low system voltage while the dropout detector shuts down the system to prevent abnormal operation. Frequency compensation of the comparator for amplifier applications can be obtained by adding external output capacitance. Dual output or positive and negative regulators can also be made.

The 2.5V reference will source or sink current. This allows it to be used as a supply splitter or auxiliary output.

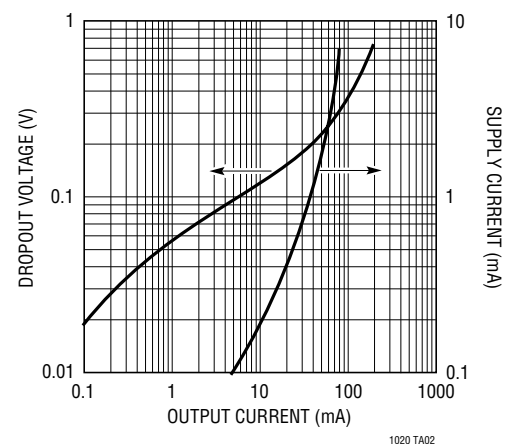
LT, LTC and LT are registered trademarks of Linear Technology Corporation.

## TYPICAL APPLICATION

### 5V Regulator



### Dropout Voltage and Supply Current



# LT1020

## ABSOLUTE MAXIMUM RATINGS (Note 1)

Input Voltage .....	36V	Operating Temperature Range	
NPN Collector Voltage .....	36V	LT1020C .....	0°C to 100°C
PNP Collector Voltage .....	Supply – 36V	LT1020I .....	–40°C to 100 °C
Output Short Circuit Duration .....	Indefinite	LT1020M ( <b>OBSOLETE</b> ) .....	–55°C to 125°C
Power Dissipation .....	Internally Limited	Lead Temperature (Soldering, 10 sec) .....	300°C
Storage Temperature Range .....	–65°C to 150°C		

## PACKAGE/ORDER INFORMATION

<p>N PACKAGE 14-LEAD PDIP <math>T_{JMAX} = 110^{\circ}\text{C}</math>, <math>\theta_{JA} = 130^{\circ}\text{C/W}</math></p> <p>J PACKAGE 14-LEAD CERDIP <math>T_{JMAX} = 150^{\circ}\text{C}</math>, <math>\theta_{JA} = 80^{\circ}\text{C/W}</math></p> <p><b>OBSOLETE PACKAGE</b> Consider the N14 Package for Alternate Source</p>	<p>ORDER PART NUMBER</p> <p>LT1020CN LT1020IN</p> <p>LT1020CJ LT1020IJ LT1020MJ</p>	<p>SW PACKAGE 16-LEAD PLASTIC (WIDE) SO <math>T_{JMAX} = 110^{\circ}\text{C}</math>, <math>\theta_{JA} = 150^{\circ}\text{C/W}</math></p>	<p>ORDER PART NUMBER</p> <p>LT1020CSW LT1020ISW</p>
---	---	---	---

Consult LTC Marketing for parts specified with wider operating temperature ranges.

## ELECTRICAL CHARACTERISTICS $T_J = 25^{\circ}\text{C}$

PARAMETER	CONDITIONS	MIN	TYP	MAX	UNITS
<b>Reference</b>					
Reference Voltage	$4.5\text{V} \leq V_{IN} \leq 36\text{V}$	2.46	2.50	2.54	V
Line Regulation	$4.5\text{V} \leq V_{IN} \leq 36\text{V}$		0.01	0.015	%/V
Load Regulation	$-0.5\text{mA} \leq I_{REF} \leq 1\text{mA}$ , $V_{IN} = 12\text{V}$		0.2	0.3	%
Output Source Current	$V_{IN} = 5\text{V}$	1	4		mA
Output Sink Current	$V_{IN} = 5\text{V}$	0.5	2		mA
Temperature Stability			1		%
<b>Regulator</b>					
Supply Current	$V_{IN} = 6\text{V}$ , $I_{OUT} \leq 100\mu\text{A}$ $V_{IN} = 36\text{V}$ , $I_{OUT} \leq 100\mu\text{A}$ $V_{IN} = 12\text{V}$ , $I_{OUT} = 125\text{mA}$		45 75 11	80 120 20	$\mu\text{A}$ $\mu\text{A}$ mA
Output Current	$(V_{IN} - V_{OUT}) \geq 1\text{V}$ , $V_{IN} \geq 6\text{V}$	125			mA
Load Regulation	$(V_{IN} - V_{OUT}) \geq 1\text{V}$ , $V_{IN} \geq 6\text{V}$		0.2	0.5	%
Line Regulation	$6\text{V} \leq V_{IN} \leq 36\text{V}$		0.01	0.015	%/V
Dropout Voltage	$I_{OUT} = 100\mu\text{A}$		0.02	0.05	V
	$I_{OUT} = 125\text{mA}$		0.4	0.65	V

sn1020 1020fcs

**ELECTRICAL CHARACTERISTICS**  $T_J = 25^\circ\text{C}$ 

PARAMETER	CONDITIONS	MIN	TYP	MAX	UNITS
<b>Regulator</b>					
Feedback Sense Voltage	$V_{IN} = 12\text{V}$	2.44	2.5	2.56	V
Dropout Detector Current	$\Delta V_{OUT} = -0.05\text{V}$ , $I_{OUT} = 500\mu\text{A}$	3	20		$\mu\text{A}$
Feedback Bias Current			15	40	nA
Minimum Load Current	$V_{IN} = 36\text{V}$		1	5	$\mu\text{A}$
Short-Circuit Current	$V_{IN} = 36\text{V}$ Pins 9 and 10 Shorted, $V_{IN} = 4.5\text{V}$	3	300 30	400	mA mA
<b>Comparator</b>					
Offset Voltage	$0\text{V} \leq V_{CM} \leq 35\text{V}$ , $V_{IN} = 36\text{V}$		3	7	mV
Bias Current	$0\text{V} \leq V_{CM} \leq 35\text{V}$ , $V_{IN} = 36\text{V}$		15	40	nA
Offset Current	$0\text{V} \leq V_{CM} \leq 35\text{V}$ , $V_{IN} = 36\text{V}$		4	15	nA
Gain-NPN Pull-Down	$\Delta V_{OUT} = 29\text{V}$ , $R_L = 20\text{k}$	2000	10000		V/V
Common Mode Rejection	$0\text{V} \leq V_{CM} \leq 35\text{V}$ , $V_{IN} = 36\text{V}$	80	94		dB
Power Supply Rejection	$4.5\text{V} \leq V_S \leq 36\text{V}$	80	96		dB
Output Sink Current	$V_{IN} = 4.5\text{V}$	10	18		mA
NPN Saturation Voltage	$I_{OUT} = 1\text{mA}$		0.4	0.6	V
Output Source Current		60	200		$\mu\text{A}$
Input Voltage Range		0		$V_{IN} - 1$	V
Response Time			5		$\mu\text{s}$
Leakage Current (NPN)				2	$\mu\text{A}$

The ● denotes the specifications which apply over the full operating temperature range, otherwise specifications are at  $T_J = 25^\circ\text{C}$ .

PARAMETER	CONDITIONS	MIN	TYP	MAX	UNITS
<b>Reference</b>					
Reference Voltage	$4.5\text{V} \leq V_{IN} \leq 36\text{V}$	● 2.40	2.50	2.55	V
Line Regulation	$4.5\text{V} \leq V_{IN} \leq 36\text{V}$	●	0.01	0.02	%/V
Load Regulation	$-0.5\text{mA} \leq I_{REF} \leq 1\text{mA}$ , $V_{IN} = 12\text{V}$	●	0.3	0.4	%
Output Source Current	$V_{IN} = 5\text{V}$	● 1			mA
Output Sink Current	$V_{IN} = 5\text{V}$	● 0.5			mA
<b>Regulator</b>					
Supply Current	$V_{IN} = 6\text{V}$ , $I_{OUT} \leq 100\mu\text{A}$ $V_{IN} = 36\text{V}$ , $I_{OUT} \leq 100\mu\text{A}$ $V_{IN} = 12\text{V}$ , $I_{OUT} = 125\text{mA}$	●	65 85 11	95 120 20	$\mu\text{A}$ $\mu\text{A}$ mA
Output Current	$(V_{IN} - V_{OUT}) \geq 1\text{V}$ , $V_{IN} \geq 6\text{V}$	● 125			mA
Load Regulation	$(V_{IN} - V_{OUT}) \geq 1\text{V}$ , $V_{IN} \geq 6\text{V}$	●		1	%
Line Regulation	$6\text{V} \leq V_{IN} \leq 36\text{V}$	●		0.02	%/V
Dropout Voltage	$I_{OUT} = 100\mu\text{A}$ $I_{OUT} = 125\text{mA}$	●		0.06 0.85	V V
Feedback Sense Voltage	$V_{IN} = 12\text{V}$	● 2.38	2.5	2.57	V
Dropout Detector Current	$\Delta V_{OUT} = -0.05\text{V}$ , $I_{OUT} = 500\mu\text{A}$	● 3			$\mu\text{A}$
Feedback Bias Current		●		50	nA
Minimum Load Current	$V_{IN} = 36\text{V}$	●		50	$\mu\text{A}$
Short-Circuit Current	$V_{IN} = 36\text{V}$ Pins 9 and 10 Shorted, $V_{IN} = 4.5\text{V}$	● 2.5	300 30	400	mA mA
<b>Comparator</b>					
Offset Voltage	$0\text{V} \leq V_{CM} \leq 35\text{V}$ , $V_{IN} = 36\text{V}$	●		10	mV
Bias Current	$0\text{V} \leq V_{CM} \leq 35\text{V}$ , $V_{IN} = 36\text{V}$ (Note 2)	●	15	60	nA

**ELECTRICAL CHARACTERISTICS** The ● denotes the specifications which apply over the full operating temperature range, otherwise specifications are at  $T_J = 25^\circ\text{C}$ .

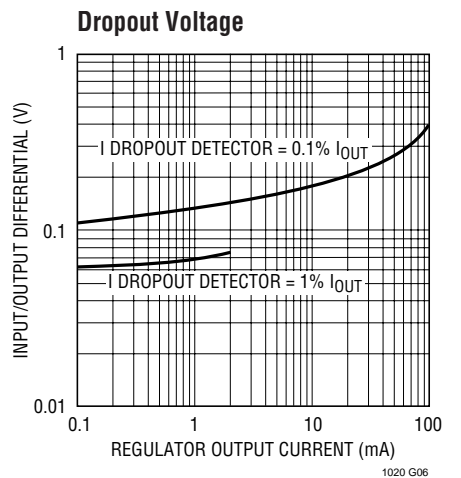
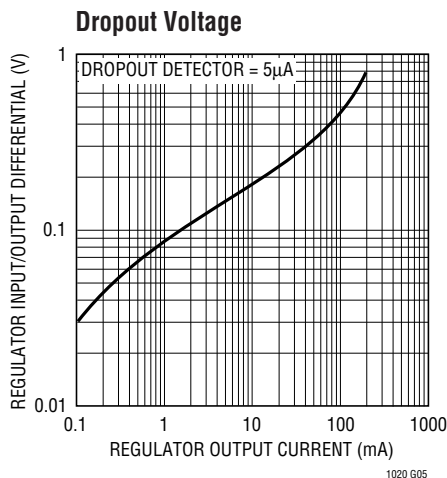
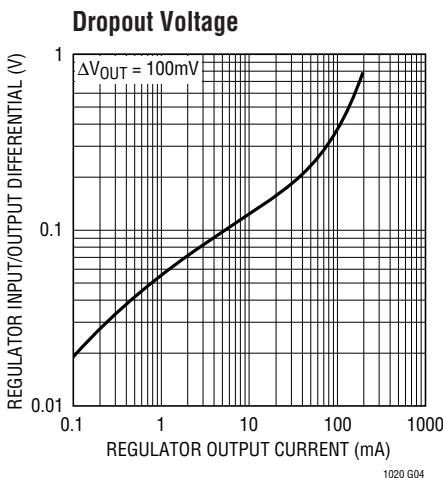
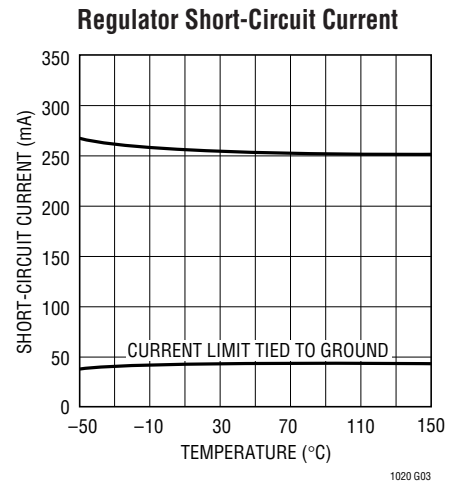
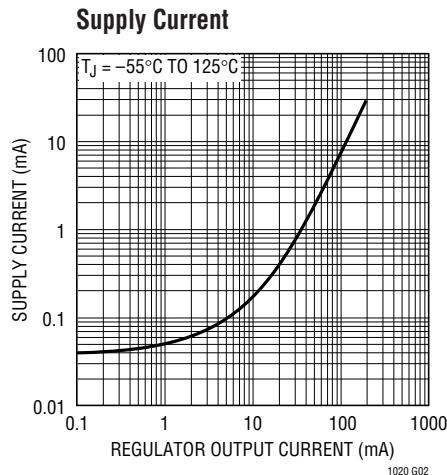
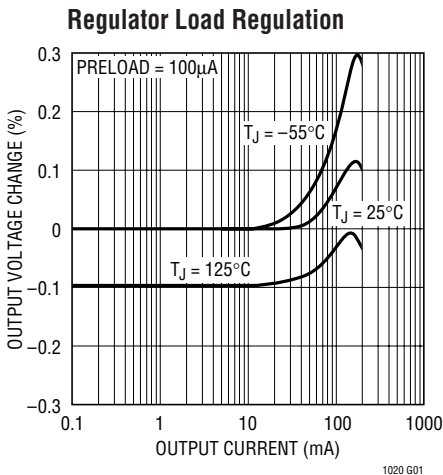
PARAMETER	CONDITIONS		MIN	TYP	MAX	UNITS
<b>Comparator</b>						
Offset Current	$0\text{V} \leq V_{\text{CM}} \leq 35\text{V}$ , $V_{\text{IN}} = 36\text{V}$	●			20	nA
Gain-NPN Pull-Down	$\Delta V_{\text{OUT}} = 29\text{V}$ , $R_L = 20\text{k}$	●	1000			V/V
Common Mode Rejection	$0\text{V} \leq V_{\text{CM}} \leq 35\text{V}$ , $V_{\text{IN}} = 36\text{V}$	●	80			dB
Power Supply Rejection	$4.5\text{V} \leq V_{\text{IN}} \leq 36\text{V}$	●	80			dB
Output Sink Current	$V_{\text{IN}} = 4.5\text{V}$ (Note 3)	●	5	10		mA
Output Source Current		●	40	120		$\mu\text{A}$
Input Voltage Range		●	0		$V_{\text{IN}} - 1$	V
Leakage Current (NPN)	$V_{\text{IN}} = 36\text{V}$	●			8	$\mu\text{A}$

**Note 1:** Absolute Maximum Ratings are those values beyond which the life of a device may be impaired.

**Note 2:** For  $0\text{V} \leq V_{\text{CM}} \leq 0.1\text{V}$  and  $T > 85^\circ\text{C}$   $I_{\text{BIAS(MAX)}}$  is 100nA.

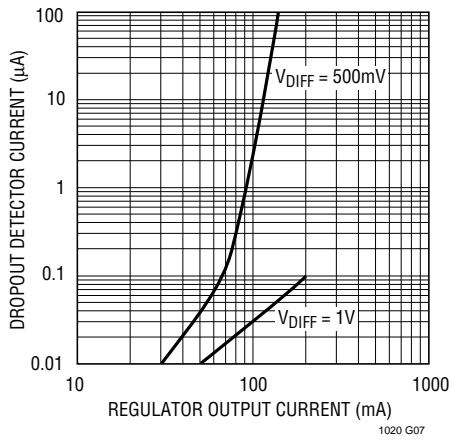
**Note 3:** For  $T_A \leq -40^\circ\text{C}$  output  $I_{\text{SINK(MIN)}}$  is 2.5mA.

**TYPICAL PERFORMANCE CHARACTERISTICS**

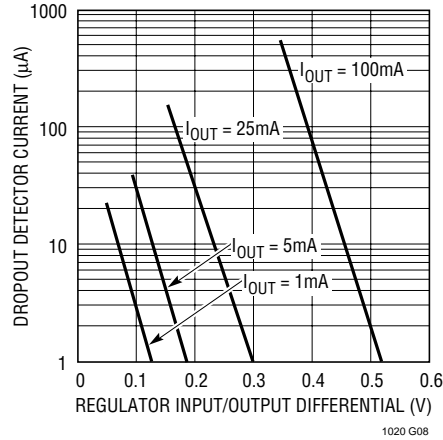


# TYPICAL PERFORMANCE CHARACTERISTICS

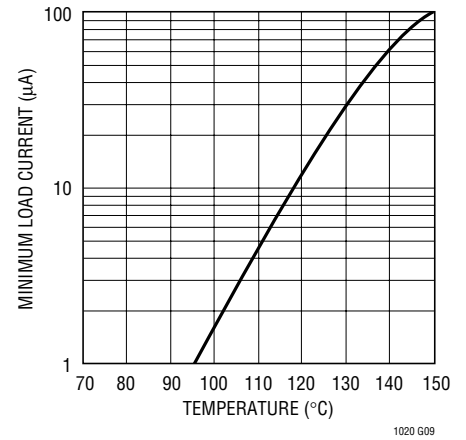
**Dropout Detector Current**



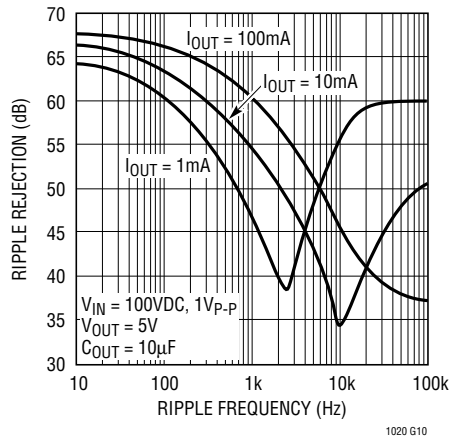
**Dropout Detector Current**



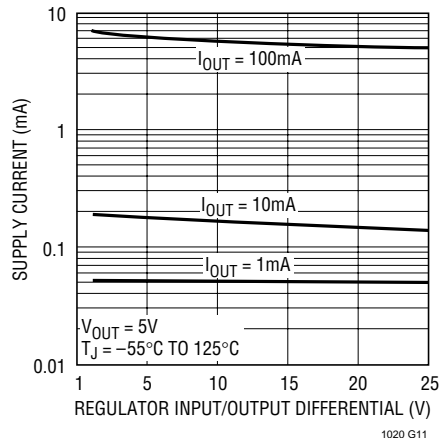
**Regulator Minimum Load Current**



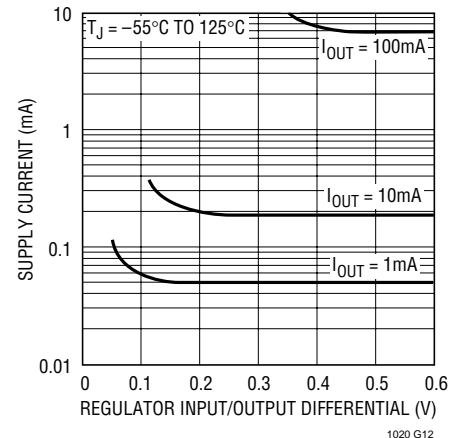
**Regulator Ripple Rejection**



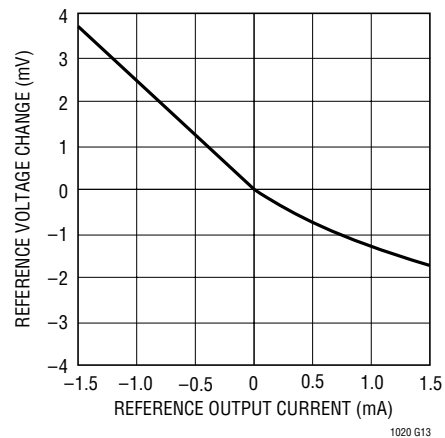
**Supply Current**



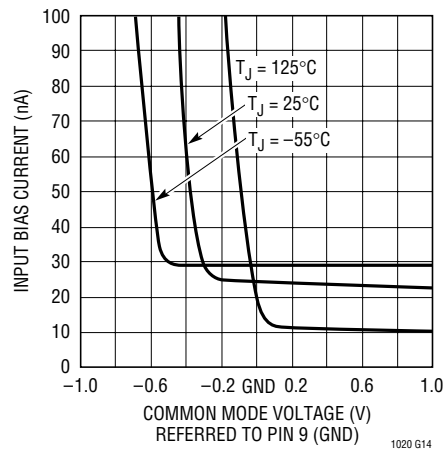
**Supply Current at Dropout**



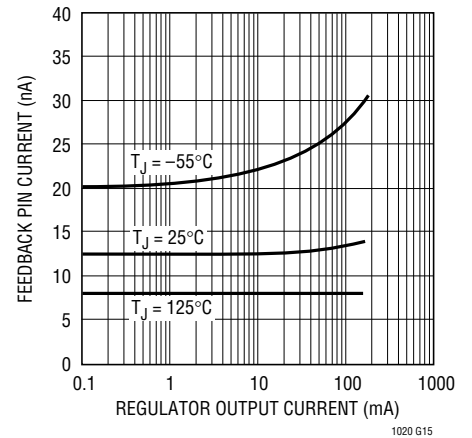
**Reference Regulation**



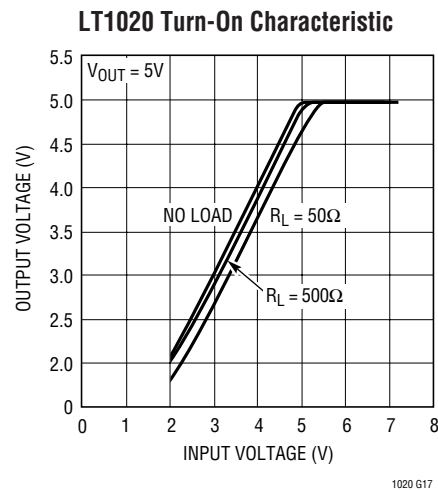
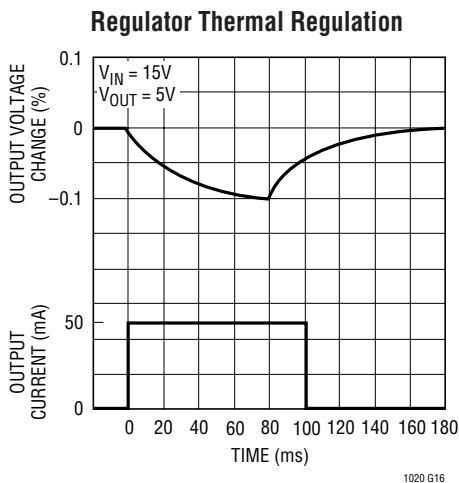
**Comparator Input Bias Current**



**Feedback Pin Current**



## TYPICAL PERFORMANCE CHARACTERISTICS



## PIN FUNCTIONS

**Pins 1, 14:** No Internal Connection.

**Pin 2:** Regulator Output. Main output, requires  $10\mu\text{F}$  output capacitor. Can be shorted to  $V_{\text{IN}}$  or ground without damaging the device.

**Pin 3:** Input Supply. Bypass with  $10\mu\text{F}$  capacitor. Must always be more positive than ground.

**Pin 4:** Reference. 2.5V can source or sink current. May be shorted to ground or up to 5V. Voltages in excess of 5V can damage the device.

**Pin 5:** Comparator PNP Output. Open Collector PNP Output. Pull-up current source for the comparator. May be connected to any voltage from  $V_{\text{IN}}$  to 36V more negative than  $V_{\text{IN}}$  (operates below ground). Short-circuit protected. For example, if  $V_{\text{IN}}$  is 6V then pin 5 will operate to  $-30\text{V}$ .

**Pin 6:** Comparator NPN Output. Open Collector NPN Output. May be connected to any voltage from ground to 36V more positive than ground (operates above  $V_{\text{IN}}$ ). Short-circuit protected.

**Pins 7, 8:** Comparator Inputs. Operates from ground to  $V_{\text{IN}} - 1\text{V}$ . Comparator inputs will withstand 36V even with  $V_{\text{IN}}$  of 0V.

**Pin 9:** Ground.

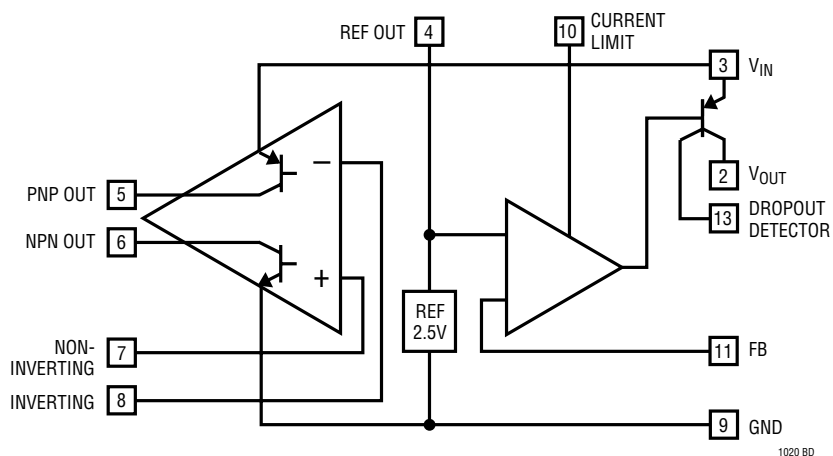
**Pin 10:** Current Limit. Connecting this pin to ground decreases the regulator current limit to 3mA minimum. Leave open when not used.

**Pin 11:** Feedback. This is the feedback point of the regulator. When operating, it is nominally at 2.5V. Optimum source resistance is 200k to 500k. The feedback pin should not be driven below ground or more positive than 5V.

**Pin 12:** Shutdown. Turns output off.

**Pin 13:** Dropout Detector. This pin acts like a current source from  $V_{\text{IN}}$  which turns on when the output transistor goes into saturation. The magnitude of the current depends on the magnitude of the output current and the input/output voltage differential. Pin current ranges from  $5\mu\text{A}$  to about  $300\mu\text{A}$ .

## BLOCK DIAGRAM



## APPLICATIONS INFORMATION

The LT1020 is especially suited for micropower system applications. For example, the comparator section of the LT1020 may be used as a battery checker to provide an indication of low battery. The dropout detector can shut down the system when the battery voltage becomes too low to regulate. Another type of system application for the LT1020 would be to generate the equivalent of split supplies from a single power input. The regulator section provides regulated output voltage and the reference, which can both source and sink current, is then an artificial system ground providing a split supply for the system.

For many applications the comparator can be frequency compensated to operate as an amplifier. Compensation values for various gains are given in the data sheet. The comparator gain is purposely low to make it easier to frequency compensate as an amplifier. Two outputs are available on the comparator, the NPN output is capable of sinking 10mA and can drive loads connected to voltages in excess of the positive power supply. This is useful for driving switches or linear regulators from a higher input voltage. The PNP output, which is capable of sourcing 100 $\mu$ A can drive loads below ground. It can be used to make negative regulators with the addition of an external pass transistor. Both outputs can be tied together to provide an output that swings from rail-to-rail for comparator or amplifier applications. Although it is not specified, the gain for the PNP output is about 500 to 1000.

If the PNP output is being used, to maximize the gain a 1 $\mu$ A to 5 $\mu$ A load should be placed upon the NPN output collector. This is easily done by connecting a resistor between the NPN collector and the reference output. (Providing this operating current to the NPN side increases the internal emitter base voltages and maximizes the gain of the PNP stage.) Without this loading on the NPN collector, at temperatures in excess of 75°C, the gain of the PNP collector can decrease by a factor of 2 or 3.

### Reference

Internal to the LT1020 is a 2.5V trimmed class B output reference. The reference was designed to be able to source or sink current so it could be used in supply splitting applications as well as a general purpose reference for external circuitry. The design of the reference allows it to source typically 4mA or 5mA and sink 2mA. The available source and sink current decreases as temperature increases. It is sometimes desirable to decrease the AC output impedance by placing an output capacitor on them. The reference in the LT1020 becomes unstable with large capacitive loads placed directly on it. When using an output capacitor, about 20 $\Omega$  should be used to isolate the capacitor from the reference pin. This 20 $\Omega$  resistor can be placed directly in series with the capacitor or alternatively the reference line can have 20 $\Omega$  placed in series with it and then a capacitor to ground. This is shown in Figure 1. Other



## APPLICATIONS INFORMATION

than placing large capacitive loads on the reference, no other precautions are necessary and the reference is stable with nominal stray capacitances.

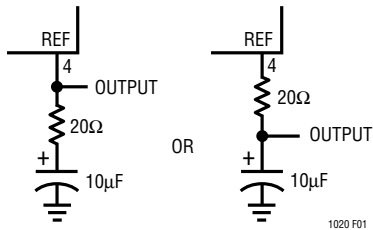
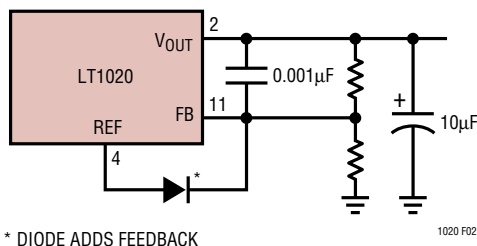


Figure 1. Bypassing Reference

### Overload Protection

The main regulator in the LT1020 is current limited at approximately 350mA. The current limit is stable with both input voltage and temperature. A current limit pin, when strapped to ground, decreases the output current. This allows the output current to be set to a lower value than 250mA. The output current available with the current limit pin strapped to ground is not well controlled so if precise current limiting is desired it should be provided externally as is shown in some of the application circuits.

If the device is overloaded for long periods of time, thermal shutdown turns the output off. In thermal shutdown, there may be some oscillations which can disturb external circuitry. A diode connected between the reference and feedback terminal provides hysteresis under thermal shutdown, so that the device turns on and off with about a 5 second period and there are no higher frequency oscillations. This is shown in Figure 2. This diode is recommended for most applications. Thermal shutdown temperature is set at approximately 145°C.



\* DIODE ADDS FEEDBACK

Figure 2. Minimizing Oscillation in Thermal Shutdown

Like most other IC regulators, a minimum load is required on the output of the LT1020 to maintain regulation. For most standard regulators this is normally specified at 5mA. Of course, for a micropower regulator this would be a tremendously large current. The output current must be large enough to absorb all the leakage current of the pass transistor at the maximum operating temperature. It also affects the transient response; low output currents have long recovery times from load transients. At high operating temperatures the minimum load current increases and having too low of a load current may cause the output to go unregulated. Devices are tested for minimum load current at high temperature. The output voltage setting resistors to the feedback terminal can usually be used to provide the minimum load current.

### Frequency Compensation

The LT1020 is frequency compensated by a dominant pole on the output. An output capacitor of 10μF is usually large enough to provide good stability. Increasing the output capacitor above 10μF further improves stability. In order to insure stability, a feedback capacitor is needed between the output pin and the feedback pin. This is because stray capacitance can form another pole with the large value of feedback resistors used with the LT1020. Also, a feedback capacitor minimizes noise pickup and improves ripple rejection.

With the large dynamic operating range of the output current, 10000:1, frequency response changes widely. Low AC impedance capacitors are needed to insure stability. While solid tantalum are best, aluminum electrolytics can be used but larger capacitor values may be needed.

The CURRENT LIMIT pin allows one of the internal nodes to be rolled off with a 0.05μF capacitor to ground. With this capacitor, lower values of regulator output capacitance can be used (down to 1μF) for low (<20mA) output currents. Values of capacitance greater than 0.05μF degrade the transient response, so are not recommended.

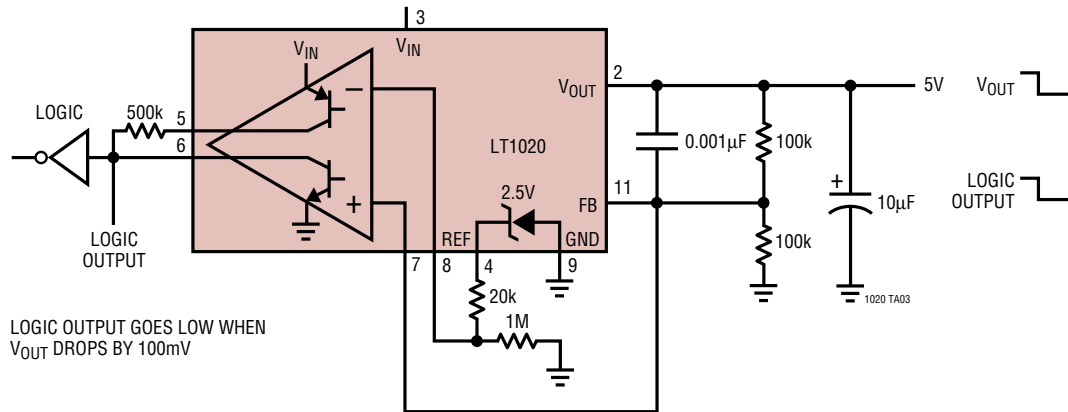
If the CURRENT LIMIT pin is connected to GND, the current limit is decreased and only a 1μF output capacitor is needed.

When bypassing the reference, a 20Ω resistor must be connected in series with the capacitor.

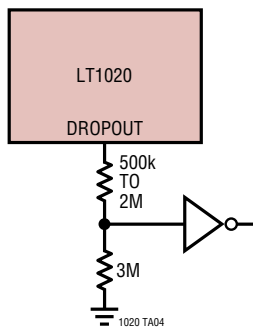


# TYPICAL APPLICATIONS

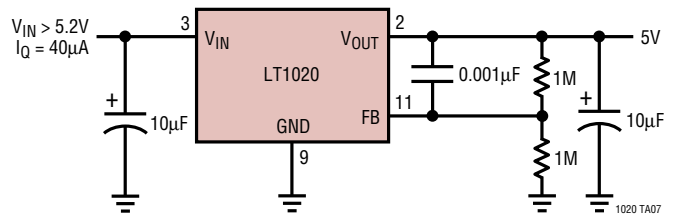
Regulator with Output Voltage Monitor



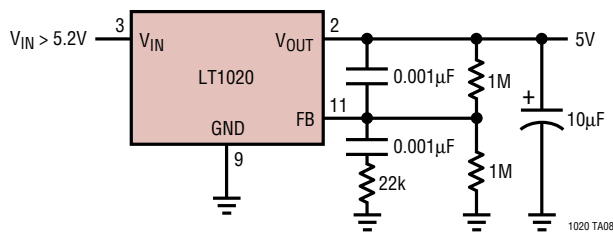
Driving Logic with Dropout Detector



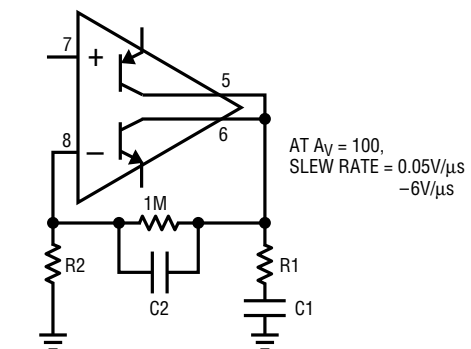
5V Regulator



Regulator with Improved Transient Response



Compensating the Comparator As an Op Amp

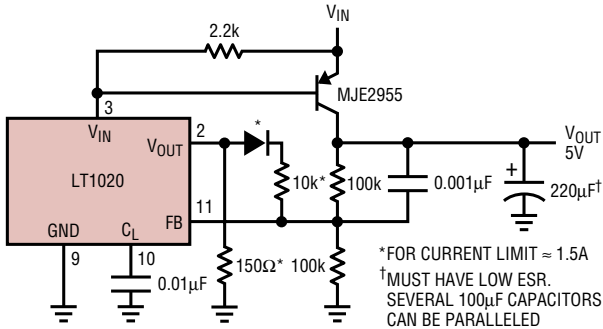


$A_v$	R1	C1	C2	R2
1	33Ω	0.1µF	0.001µF	-
10	100Ω	0.047µF	-	100k
100	10k	0.002µF	-	10k

1020 TA05

# TYPICAL APPLICATIONS

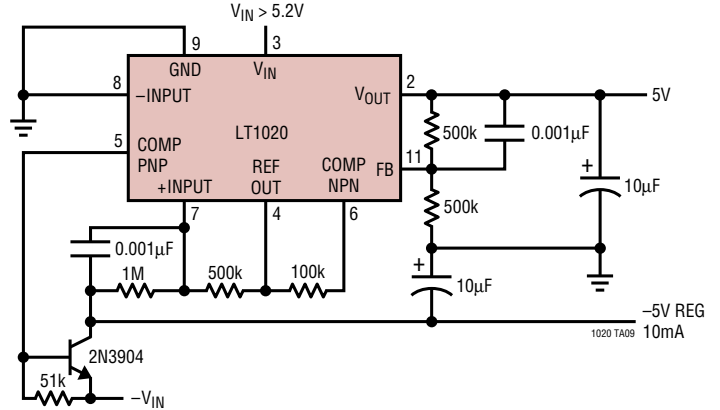
1 Amp Low Dropout Regulator



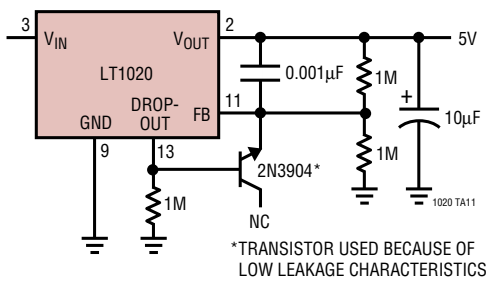
SEE LT1129 DATA SHEET FOR 700mA OUTPUT

1020 TA06

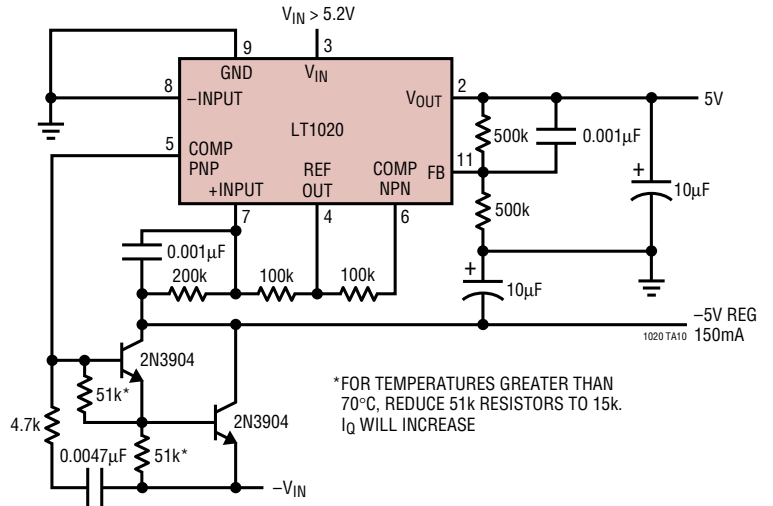
Dual Output Regulator



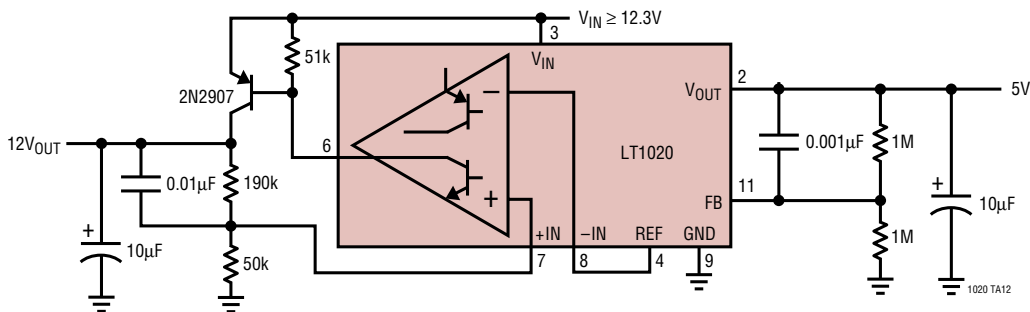
Maintaining Lowest I<sub>Q</sub> at Dropout



Dual Output 150mA Regulator

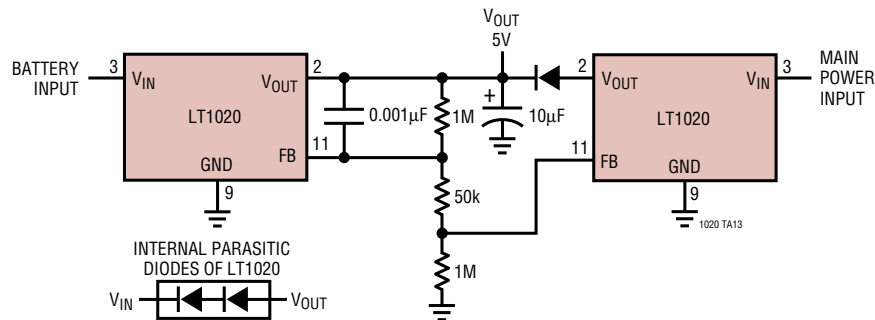


Dual Output Positive Regulator

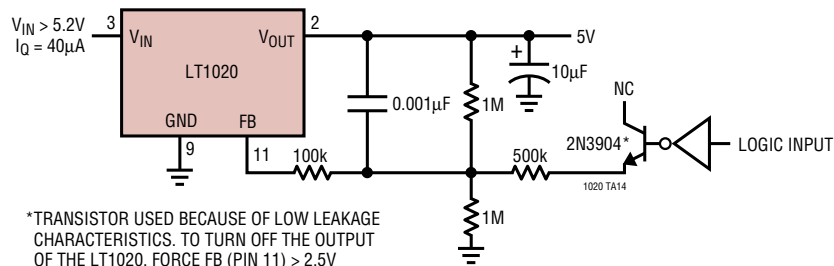


# TYPICAL APPLICATIONS

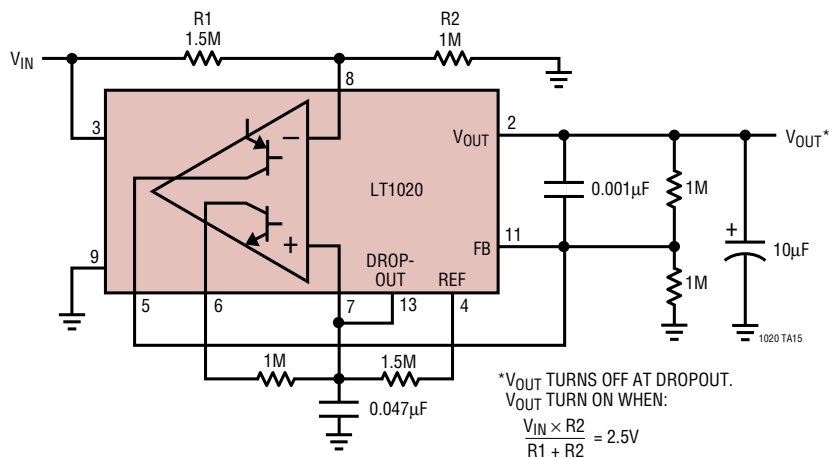
## Battery Backup Regulator



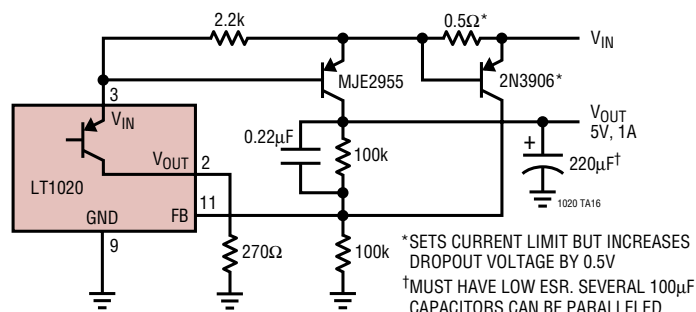
## 5V Regulator with Shutdown



## Turn-Off at Dropout

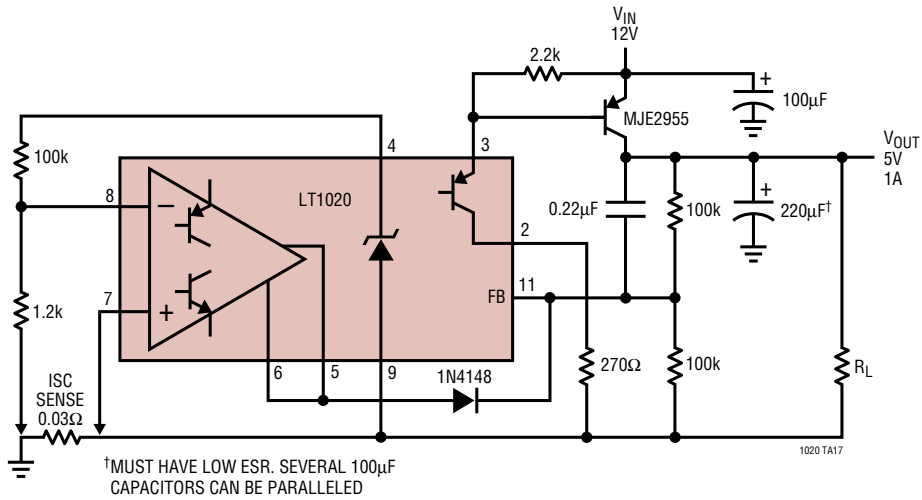


## Current Limited 1 Amp Regulator

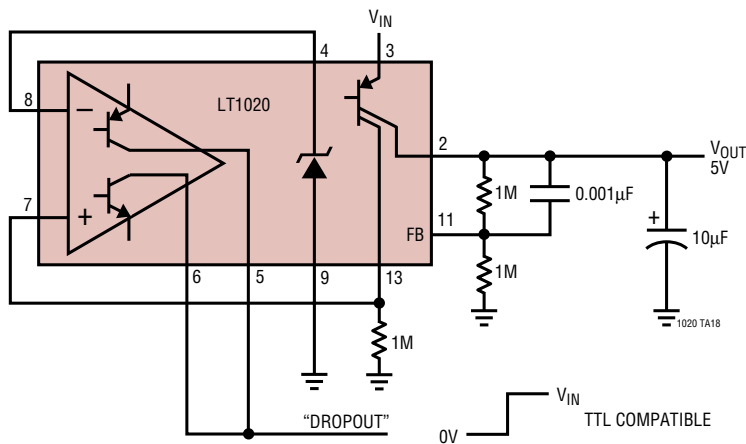


TYPICAL APPLICATIONS

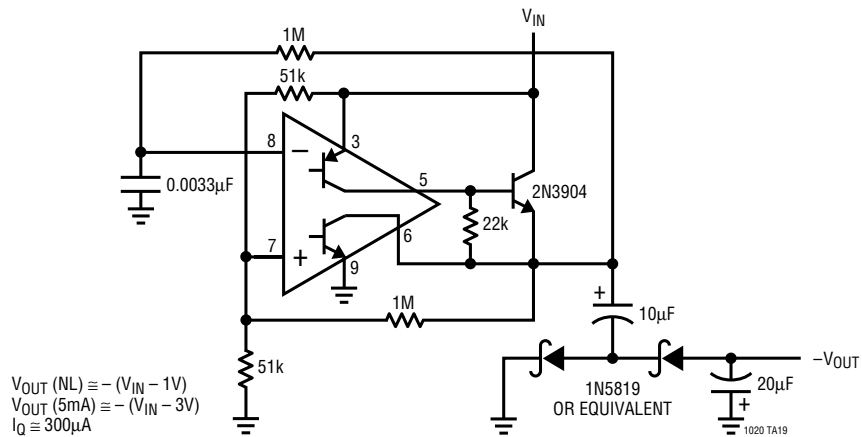
1 Amp Regulator with Precision Current Limit



Logic Output on Dropout

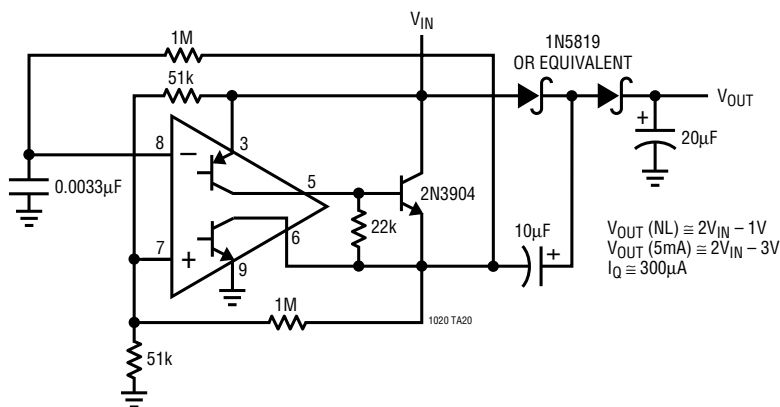


Charge Pump Negative Voltage Generator

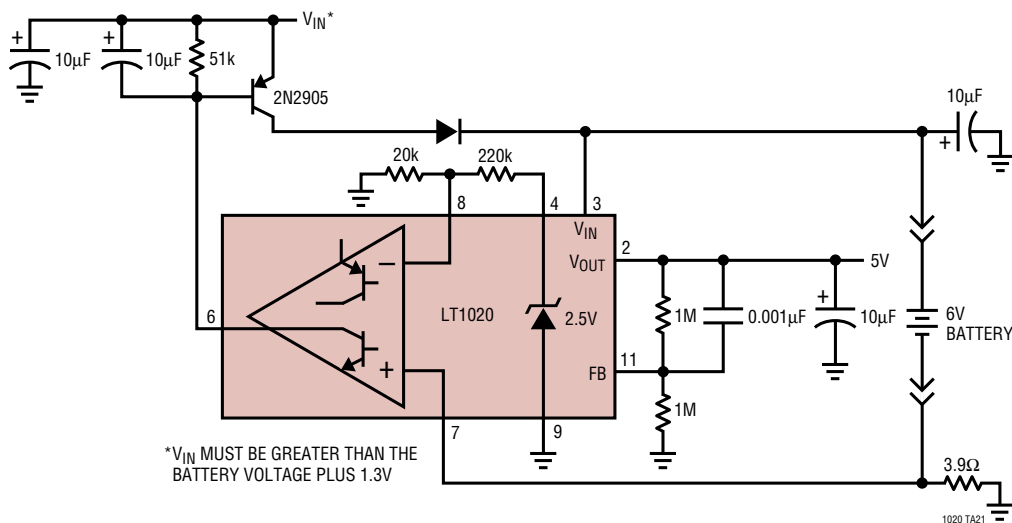


# TYPICAL APPLICATIONS

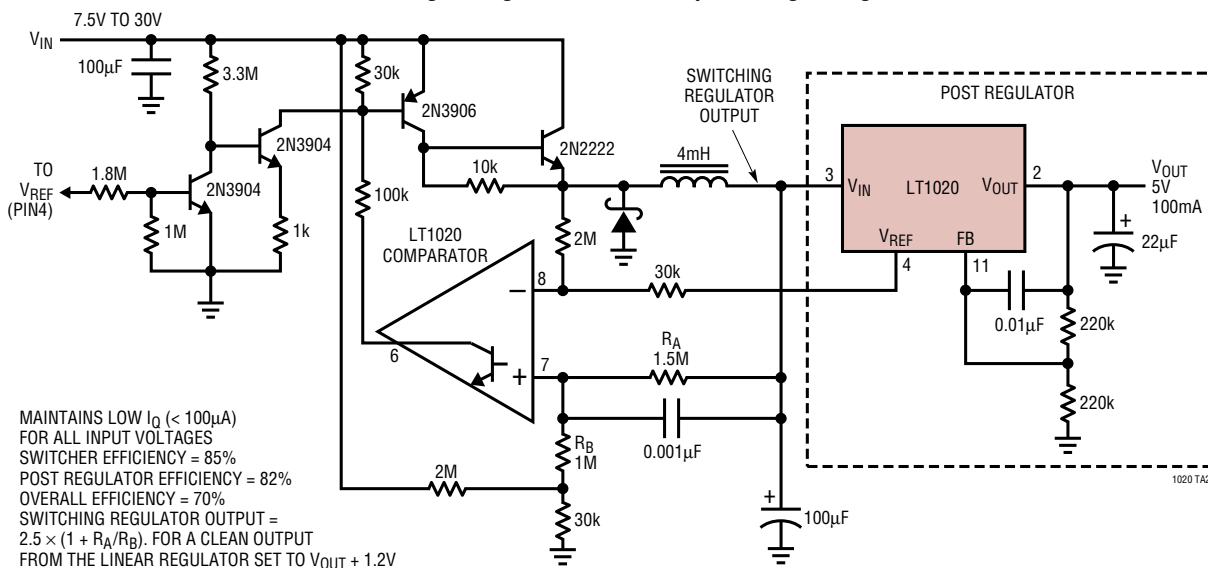
### Charge Pump Voltage Doubler



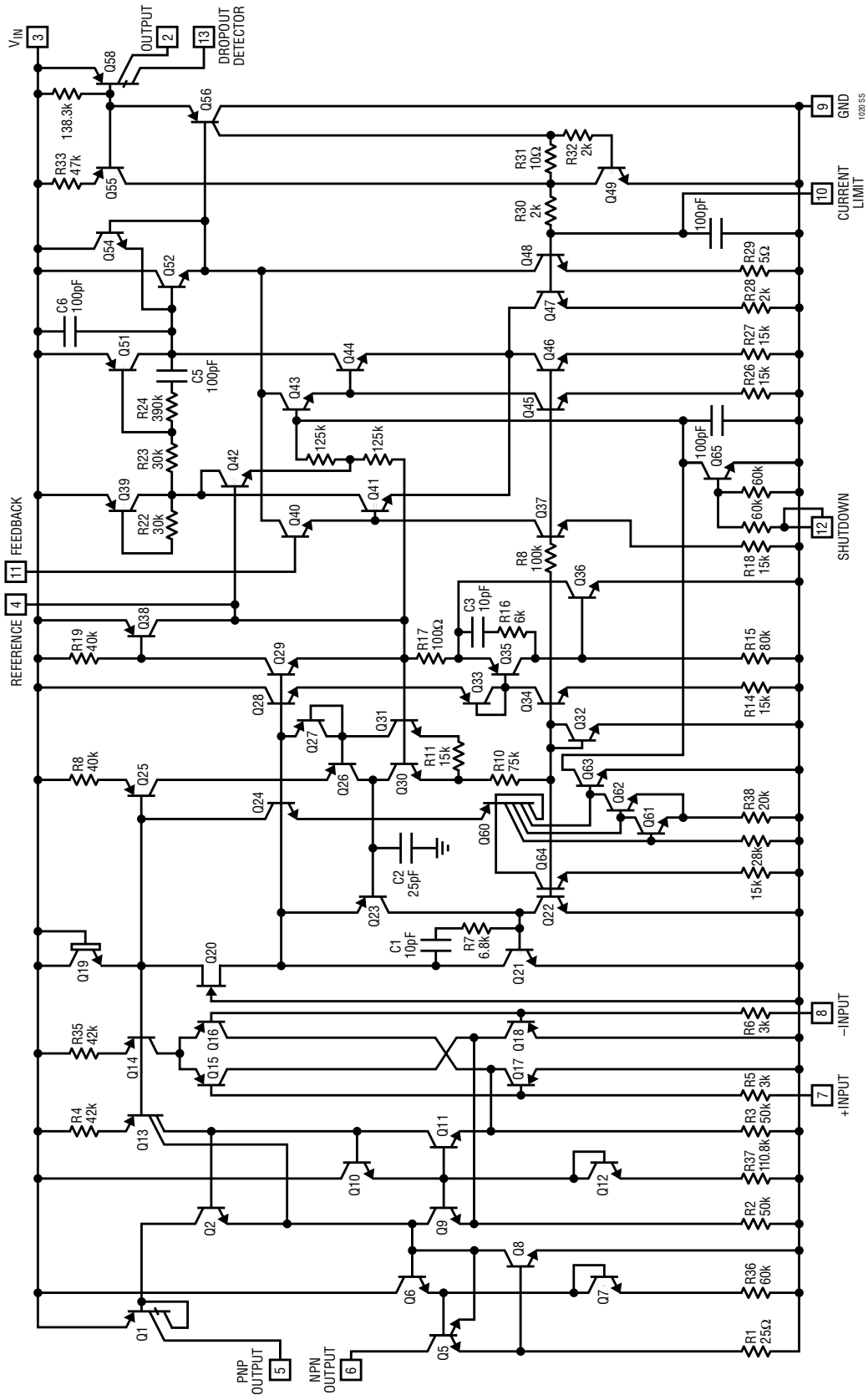
### 50mA Battery Charger and Regulator



### Switching Preregulator for Wide Input Voltage Range

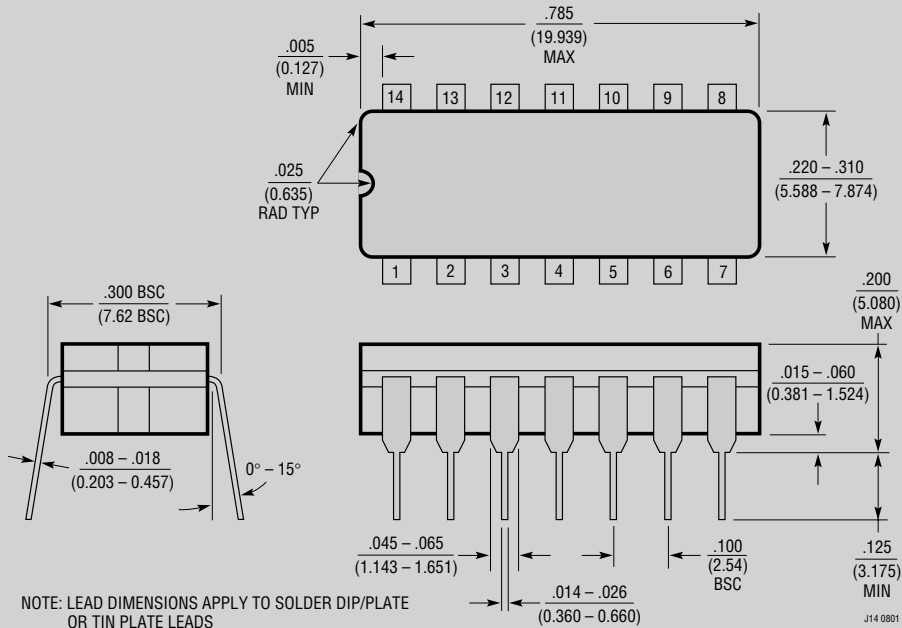


**SCHEMATIC DIAGRAM**



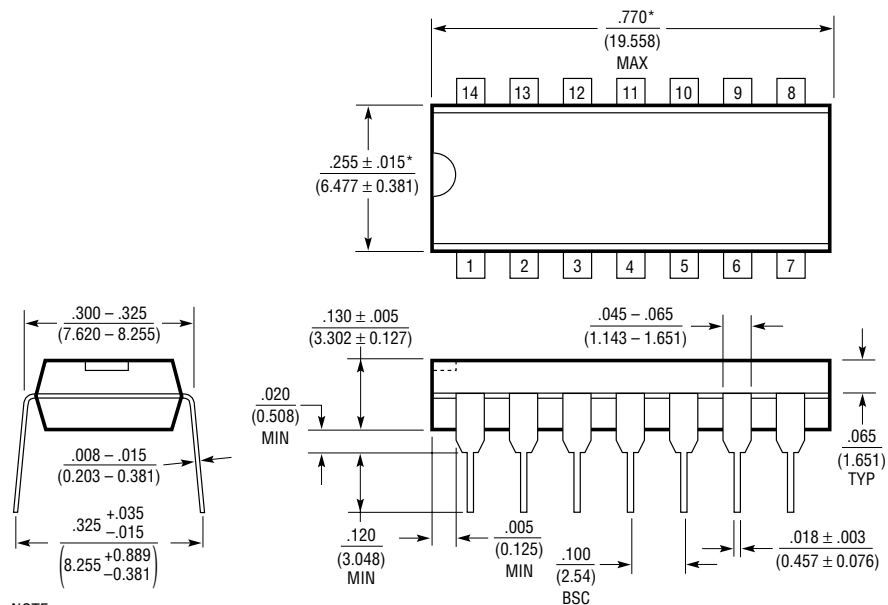
# PACKAGE DESCRIPTION

## J Package 14-Lead CERDIP (Narrow .300 Inch, Hermetic) (Reference LTC DWG # 05-08-1110)



### OBsolete PACKAGE

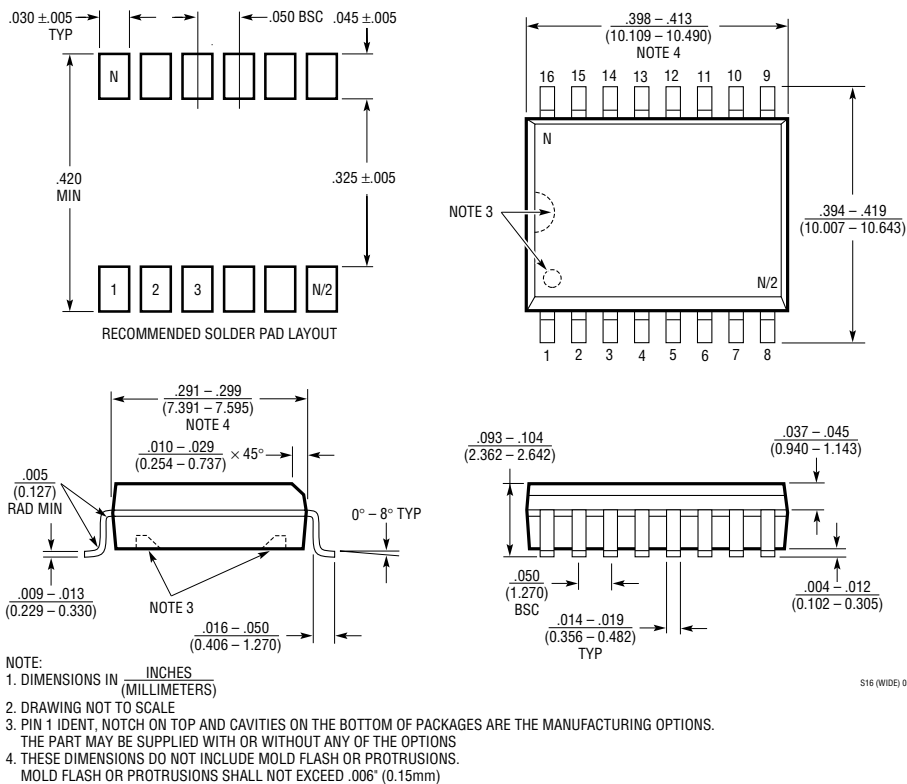
## N Package 14-Lead PDIP (Narrow .300 Inch) (Reference LTC DWG # 05-08-1510)





# PACKAGE DESCRIPTION

## SW Package 16-Lead Plastic Small Outline (Wide .300 Inch) (Reference LTC DWG # 05-08-1620)



S16 (WIDE) 0502

## RELATED PARTS

PART NUMBER	DESCRIPTION	COMMENTS
LT1120/LT1120A	125mA, Micropower Regulator and Comparators	$V_{IN}$ : 4.5V to 36V; $V_{OUT(MIN)}$ : 2.50V, Dropout Voltage (V at $I_{OUT}$ ): 0.40V; $I_Q$ (Supply): 40 $\mu$ A; $V_{OUT}$ (V): Adj; $I_{SD}$ : 10 $\mu$ A; S8, N8; Comparator and Reference, Logic Shutdown, Ref Sources and Sinks 2/4mA
LT1121/LT1121HV	150mA, Micropower, LDO	$V_{IN}$ : 4.2V to 30/36V; $V_{OUT(MIN)}$ : 3.75V, Dropout Voltage (V at $I_{OUT}$ ): 0.42V; $I_Q$ (Supply): 30 $\mu$ A; $V_{OUT}$ (V): Adj, 3.3, 5; $I_{SD}$ : 16 $\mu$ A; SOT-223, S8, Z; Reverse-Battery Protection
LT1129	700mA, Micropower, LDO	$V_{IN}$ : 4.2V to 30V; $V_{OUT(MIN)}$ : 3.75V, Dropout Voltage (V at $I_{OUT}$ ): 0.40V; $I_Q$ (Supply): 50 $\mu$ A; $V_{OUT}$ (V): Adj, 3.3, 5; $I_{SD}$ : 16 $\mu$ A; DD, SOT-223, S8, TO220-5, TSSOP20
LT1616	25V, 500mA ( $I_{OUT}$ ), 1.4MHz, High Efficiency Step-Down DC/DC Converter	$V_{IN}$ : 3.6V to 25V, $V_{OUT(MIN)}$ : 1.25V, $I_Q$ : 1.9mA, $I_{SD}$ : <1 $\mu$ A, ThinSOT
LT1676	60V, 440mA ( $I_{OUT}$ ), 100kHz, High Efficiency Step-Down DC/DC Converter	$V_{IN}$ : 7.4V to 60V, $V_{OUT(MIN)}$ : 1.24V, $I_Q$ : 3.2mA, $I_{SD}$ : 2.5 $\mu$ A, S8
LT1761	100mA, Low Noise Micropower, LDO	$V_{IN}$ : 1.8V to 20V; $V_{OUT(MIN)}$ : 1.22V, Dropout Voltage (V at $I_{OUT}$ ): 0.30V; $I_Q$ (Supply): 20 $\mu$ A; $V_{OUT}$ (V): Adj, 1.5, 1.8, 2, 2.5, 2.8, 3, 3.5, 5; $I_{SD}$ : <1 $\mu$ A; ThinSOT; Low Noise < 20 $\mu$ V $_{RMSP-P}$ , Stable with 1 $\mu$ F Ceramic Capacitors