

PIN Header .079" (2.0mm) Center

Features:

- 0.19" (0.50mm) square wire pins
- PBT + 30% Glass Fiber (UL 94V-0)
- Straight or right angle Pins
- P.C. board and back planes

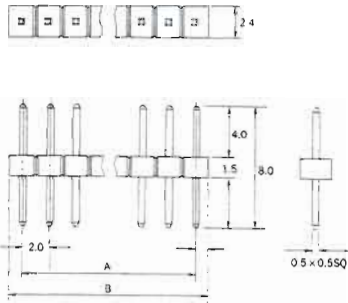
Specifications:

- Current rating: 3A AC, DC
- Voltage rating: 250V AC, Maximum
- Temperature range: -40°C ~ + 105°C
- Contact resistance: Initial Value/10mΩ max. After environmental testing/20mΩ max.
- Insulation resistance: 1,000 MΩ min
- Withstand Voltage: 1500V AC/minute
- Applicable PC board thickness: .063" (1.6mm)

PES Series

PES-2S, 3S 40S

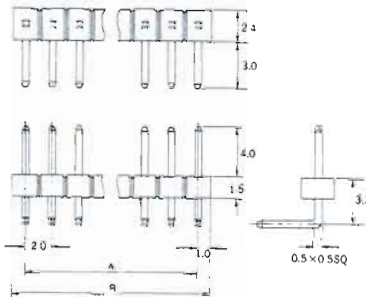
2.0x2.0 (.79" x .079") P.C.B.
MOUNT SINGLE ROW STRAIGHT PIN HEADER



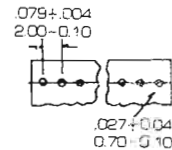
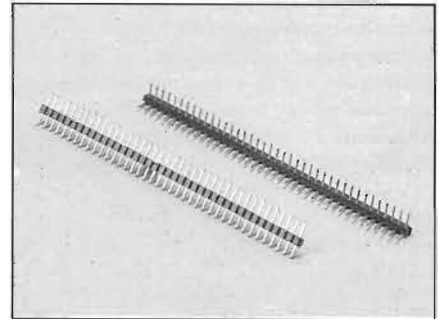
S: Straight Type

PES-2R, 3R, 4R 40R

2.0x2.0 (.079" x .079") P.C.B.
MOUNT SINGLE ROW RIGHT ANGLE PIN HEAD



R: Right Angle Type



Inches
mm

Dimensional Information PES Series

Circuits	Dim.A* ± .008 0.20	Dim.B* ± .008 0.20	Circuits	Dim.A* ± .008 0.20	Dim.B* ± .008 0.20
PES- 2	.079 2.00	.158 4.00	PES- 3	.158 4.00	.239 6.00

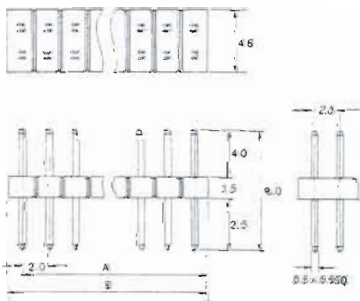
• For Circuit Sizes 4 Through 40 add .079" or 2.00mm For Each Additional pin.

No. Of Contact: PES: 2S 40S
PES: 2R 80R

PED Series

PED-2S, 4S, 6S 80S

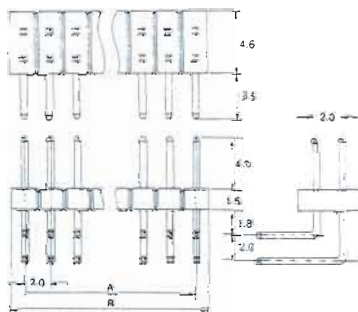
2.0x2.0 (.079" x .079") P.C.B.
MOUNT STRAIGHT PIN HEADER



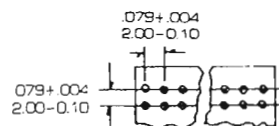
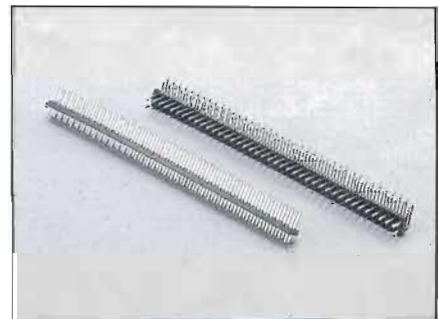
S: Straight Type

PED-2R, 4R 80R

2.0x2.0 (.079" x .079") P.C.B.
MOUNT SINGLE ROW RIGHT ANGLE



R: Right Angle Type



Inches
mm

Dimensional Information PED Series

Circuits	Dim.A* ± .008 0.20	Dim.B* ± .008 0.20	Circuits	Dim.A* ± .008 0.20	Dim.B* ± .008 0.20
PED- 4	.079 2.00	.158 4.00	PED- 6	.158 4.00	.239 6.00

• For Circuit Sizes 8 Through 40 add .079" or 2.00mm For Each Additional pin.

No. Of Contact: PED: 2S 80S
PED: 2R 80R

TERMINAL STRIPS CAN BE ORDERED WITH ANY NUMBER OF DESIRED POSITION THROUGH 40 (80 FOR DOUBLE ROW 120 FOR THREE ROW) OR UTILIZE INSTANT BREAKAWAY FEATURE TO EASILY SNAP STRIPS TO LENGTH. LESS THAN 40 (80) POSITION ARE MADE AS SPECIAL ORDERS.