



LT4CXX-81

5.0X5.0MM SQUARE LAMP

Features

- * LOW CURRENT REQUIREMENTS
- * HIGH LIGHT OUTPUT
- * RELIABLE AND RUGGED
- * IC COMPATIBLE

Absolute Maximum Ratings at T_A=25°C

REVERSE VOLTAGE (<100 μA).....	GaAsP RED 3.0 V , OTHER 5.0 V
D.C. FORWARD CURRENT.....	30mA
PULSE CURRENT (1/10 DUTY CYCLE,0.1 ms PULSE WIDTH).....	100 mA
OPERATING TEMPERATURE RANGE.....	-25°C TO +85°C
STORAGE TEMPERATURE RANGE.....	-25°C TO +100°C
LEAD SOLDERING TEMP. (1.6mm FROM BODY).....	260°C FOR 5 SEC.

Electrical/optical characteristics at T_A=25°C

PART NUMBER		LED CHIP		LEN'S COLOR		PEAK WAVELENGTH @20 mA (nm)	FORWARD VOLTAGE @20mA(V)		LUMINOUS INTENSITY @20mA(mcd)		VIEW ANGLE 2θ _{1/2} (deg)
		MATERIAL	EMITTING COLOR				TYP.	MAX.	MIN.	TYP.	
LT4C11-81	LT4C12-81	GaAsP	RED	R.D	W.D	655	1.7	2.0	0.8	1.4	88
LT4C11G-81	LT4C12G-81	GaP	RED	R.D	W.D	700	2.1	3.0	1.2	2.0	88
LT4C21-81	LT4C22-81	GaP	GREEN	G.D	W.D	567	2.1	2.6	3.1	5.2	88
LT4C31-81	LT4C32-81	GaAsP ON GaP	YELLOW	Y.D	W.D	585	2.1	3.0	2.6	4.3	88
LT4C41-81	LT4C42-81	GaAsP ON GaP	ORANGE	O.D	W.D	635	2.1	3.0	3.7	6.1	88
LT4C41R-81		GaAsP ON GaP	ORANGE	R.D		635	2.1	3.0	3.7	6.1	88

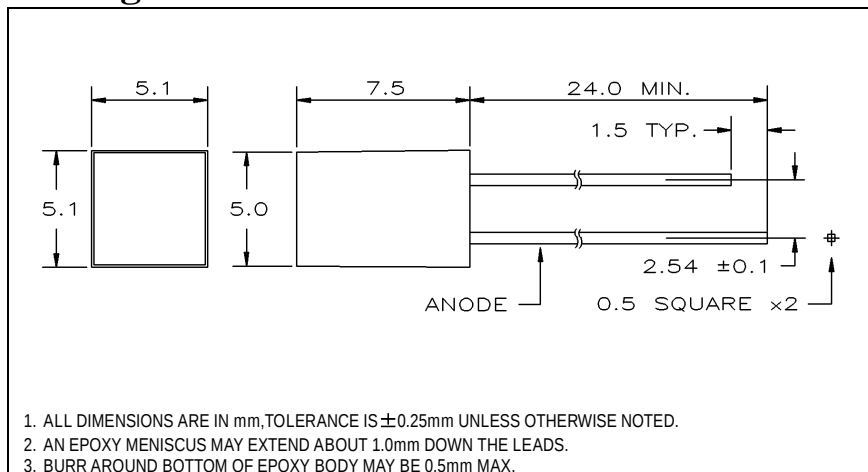
(1) LEN'S COLOR

- R.D.....RED DIFFUSED
- G.D.....GREEN DIFFUSED
- Y.D.....YELLOW DIFFUSED
- O.D.....ORANGE DIFFUSED
- W.D.....WHITE DIFFUSED

(2) SPECIFICATIONS ARE SUBJECT TO CHANGE WITHOUT NOTICE.

(3) ALL ABOVE COMPONENTS ARE CONSIDERED . DEVIATIONS FROM STATED SPECIFICATIONS WILL REQUIRE A NEW PART NUMBER BE ASSIGNED .

Package Dimensions



Radiation Pattern

