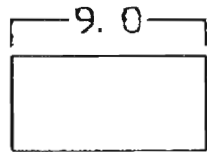
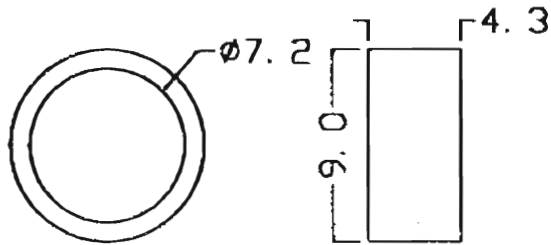
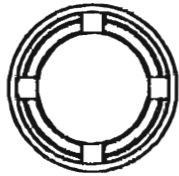
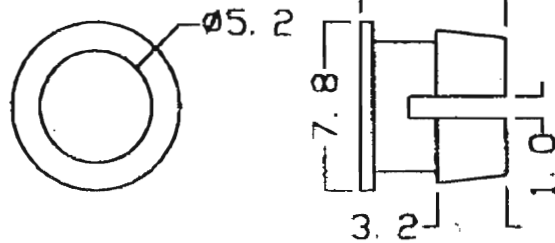
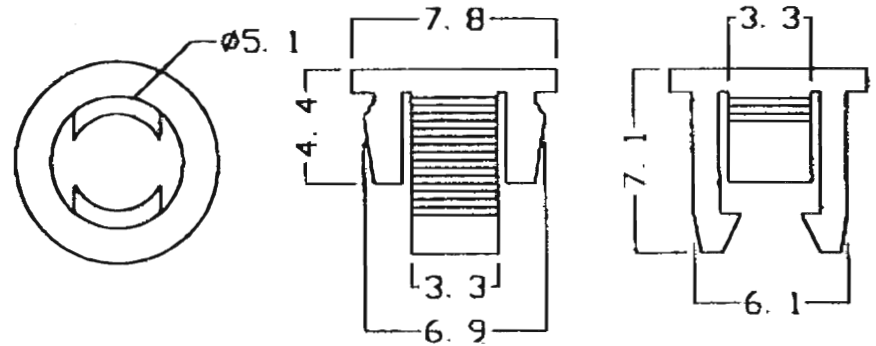


PT18H013



NOTE: TOLERANCE  $\pm 0.15\text{mm}$  (0.006inch)

PT18H012



To. Petr

FM: Miranda

1/28/2001

NOTE: TOLERANCE  $\pm 0.15\text{mm}$  (0.006inch)