

## Features

- \* LOW CURRENT REQUIREMENTS
- \* HIGH LIGHT OUTPUT
- \* RELIABLE AND RUGGED
- \* IC COMPATIBLE

## Absolute Maximum Ratings at $T_A=25^\circ\text{C}$

REVERSE VOLTAGE (<100 $\mu\text{A}$ ).....	5.0V
D.C. FORWARD CURRENT .....	30 mA
PULSE CURRENT (1/10 DUTY CYCLE,0.1 ms PULSE WIDTH).....	100 mA
OPERATING TEMPERATURE RANGE.....	-25 $^\circ\text{C}$ TO +85 $^\circ\text{C}$
STORAGE TEMPERATURE RANGE.....	-25 $^\circ\text{C}$ TO +100 $^\circ\text{C}$
LEAD SOLDERING TEMP. (1.6mm FROM BODY).....	260 $^\circ\text{C}$ FOR 5 SEC.

## Electrical/optical characteristics at $T_A=25^\circ\text{C}$

PART NUMBER		LED CHIP		LEN'S COLOR		PEAK WAVELENGTH @20 mA (nm)	FORWARD VOLTAGE @20mA(V)		LUMINOUS INTENSITY @20mA(mcd)		VIEW ANGLE $2\theta_{1/2}$ (deg)
		MATERIAL	EMITTING COLOR				TYP.	MAX.	MIN.	TYP.	
LT0211-A7	LT0212-A7	GaAsP	RED	R.D.	W.D.	655	1.7	2.0	0.8	1.4	74
LT0211G-A7	LT0212G-A7	GaP	RED	R.D.	W.D.	700	2.1	3.0	1.2	2.0	74
LT0221-A7	LT0222-A7	Gap	GREEN	G.D.	W.D.	567	2.1	2.6	5.9	9.9	74
LT0231-A7	LT0232-A7	GaAsP ON GaP	YELLOW	Y.D.	W.D.	585	2.1	3.0	5.0	8.3	74
LT0241-A7	LT0242-A7	GaAsP ON GaP	ORANGE	O.D.	W.D.	635	2.1	3.0	7.0	11.7	74
LT0241R-A7		GaAsP ON GaP	ORANGE	R.D.		635	2.1	3.0	7.0	11.7	74
LT0213-A7	LT0214-A7	GaAsP	RED	W.C.	R.C.	655	1.7	2.0	1.4	2.3	36
LT0213G-A7	LT0214G-A7	GaP	RED	W.C.	R.C.	700	2.1	3.0	2.0	3.4	36
LT0223-A7	LT0224-A7	Gap	GREEN	W.C.	G.C.	567	2.1	2.6	10.0	16.7	36
LT0233-A7	LT0234-A7	GaAsP ON GaP	YELLOW	W.C.	Y.C.	585	2.1	3.0	8.2	13.7	36
LT0243-A7	LT0244-A7	GaAsP ON GaP	ORANGE	W.C.	O.C.	635	2.1	3.0	11.6	19.4	36
	LT0244R-A7	GaAsP ON GaP	ORANGE		R.C.	635	2.1	3.0	11.6	19.4	36

(1) LEN'S COLOR

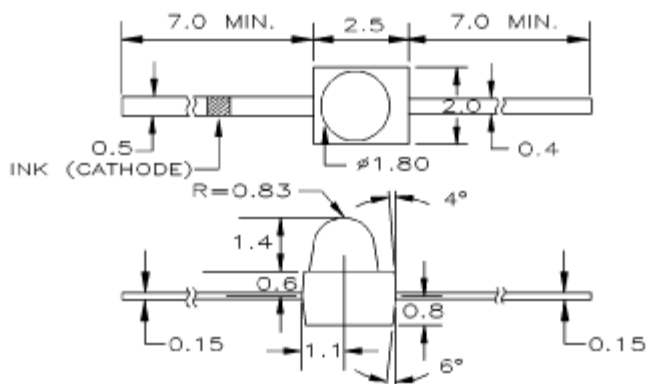
R.D.....RED DIFFUSED  
 Y.D.....YELLOW DIFFUSED  
 W.D.... WHITE DIFFUSED  
 G.D.....GREEN DIFFUSED  
 O.D.....ORANGE DIFFUSED

W.C....WATER CLEAR  
 R.C.....RED CLEAR  
 Y.C.....YELLOW CLEAR  
 G.C.....GREEN CLEAR  
 O.C.....ORANGE CLEAR

(2) SPECIFICATIONS ARE SUBJECT TO CHANGE WITHOUT NOTICE.

(3) ALL ABOVE COMPONENTS ARE CONSIDERED. DEVIATIONS FROM STATED SPECIFICATIONS WILL REQUIRE A NEW PART NUMBER BE ASSIGNED.

## Package Dimensions



1. ALL DIMENSIONS ARE IN mm, TOLERANCE IS  $\pm 0.25\text{mm}$  UNLESS OTHERWISE NOTED.
2. AN EPOXY MENISCUS MAY EXTEND ABOUT 1.0mm DOWN THE LEADS.
3. BURR AROUND BOTTOM OF EPOXY BODY MAY BE 0.5mm MAX.

## Radiation Pattern

