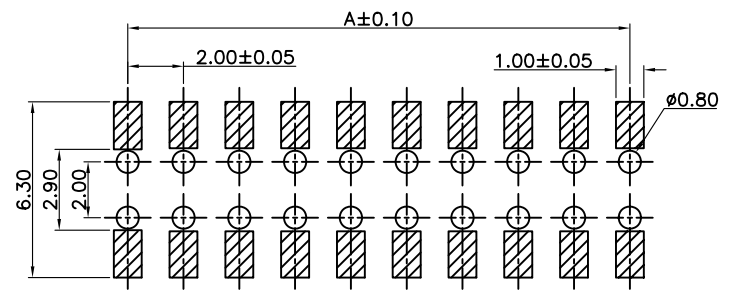


B-B



PCB LAYOUT - COMPONENT VIEW

TECHNICAL CHARACTERISTICS

MATERIAL
 INSULATOR: PA 6T
 FLAMABILITY RATING: UL94-V0
 COLOR: BLACK
 CONTACT MATERIAL: COPPER ALLOY
 CONTACT TYPE: STAMPED
 CONTACT PLATING: GOLD
 QUALITY CLASS: 3 AS PER CECC 75 301-802
 PITCH: 2.00MM

ENVIRONMENTAL
 OPERATING TEMPERATURE: -40 UP TO 125°C
 COMPLIANCE: LEAD FREE AND ROHS

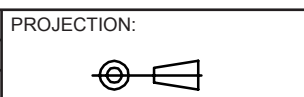
ELECTRICAL
 CURRENT RATING: 2A MAX
 WORKING VOLTAGE: 250V AC
 INSULATOR RESISTANCE: >1000 MOHM
 DIELECTRIC WITHSTANDING VOLTAGE: 500V AC/MN
 CONTACT RESISTANCE: 20 mOHM MAX

SOLDERING
 REFLOW PROCESS ONLY

PACKAGING
 TUBE

DIMENSION
 A = 2.00 x (NB. PIN / 2 - 1)
 B = 2.00 x (NB. PIN / 2)

RoHS Compliant			
G			
F			
E			
D			
C	15-JUL-10	A&B INVERSION	GG
B	29-JUN-10	A&B DIM REVERSAL	JP
A	08-JUN-09	PACKAGING	JC
REV	DATE	FILE	BY



GENERAL TOLERANCE
 .X = +/- 0.2
 .XX = +/- 0.15

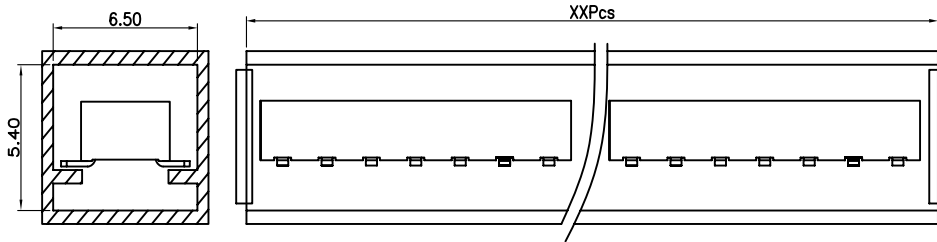
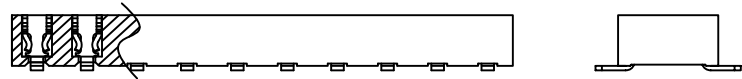
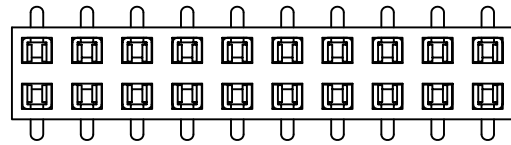


APPROVAL: RJ

UNIT: MM
 SCALE:
 SHEET: 1/2
 DRAW: MIKE

DESCRIPTION: 2.00MM DUAL SMT SOCKET HEADER BOTTOM ENTRY
 WERI PART NO: 621 0xx 218 21

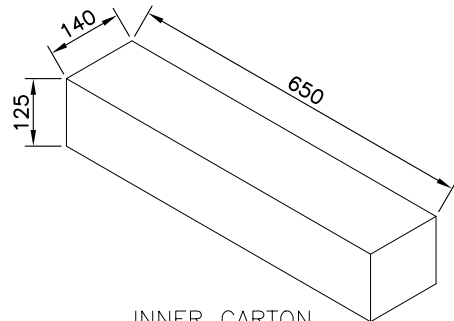
SIZE
A4



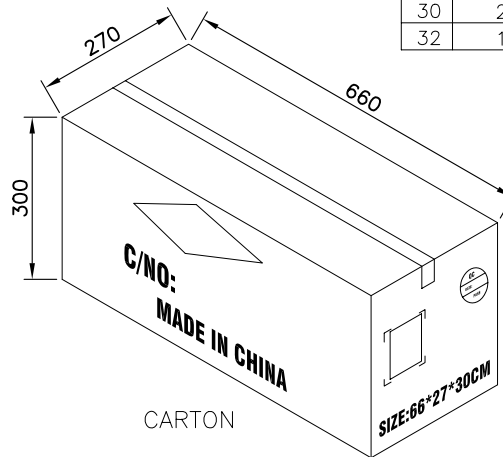
Note:

1.Dimension
 Tube Size: L=635mm
 Inner Carton Size:650(L)X140(W)X125(H) (mm)
 Carton Size:660(L)X270(W)X300(H) (mm)
 2.Quantity:
 150 Tube/Inner Carton
 4 Inner Carton/Carton

Pin	Pcs/Tube	Pcs/Inner Carton	Pcs/Carton	Pin	Pcs/Tube	Pcs/Inner Carton	Pcs/Carton
4	152	22800	91200	34	18	2700	10800
6	101	15150	60600	36	17	2550	10200
8	76	11400	45600	38	16	2400	9600
10	61	9150	36600	40	15	2250	9000
12	51	7650	30600	42	14	2100	8400
14	43	6450	25800	44	14	2100	8400
16	38	5700	22800	46	13	1950	7800
18	34	5100	20400	48	12	1800	7200
20	30	4500	18000	50	12	1800	7200
22	27	4050	16200	52	11	1650	6600
24	25	3750	15000	54	11	1650	6600
26	23	3450	13800	56	11	1650	6600
28	21	3150	12600	58	10	1500	6000
30	20	3000	12000	60	10	1500	6000
32	19	2850	11400				



INNER CARTON



CARTON

RoHS Compliant			
G			
F			
E			
D			
C			
B			
A			
REV	DATE	FILE	BY

PROJECTION:	
APPROVAL: RJ	

GENERAL TOLERANCE
.X = +/- 0.2
.XX = +/- 0.15
UNIT: MM
SCALE:
SHEET: 2/2
DRAW: PEARL

DESCRIPTION: 2.00MM DUAL SMT SOCKET HEADER BOTTOM ENTRY	
WERI PART NO: 6210 xx 21821_TPK	

SIZE
A4