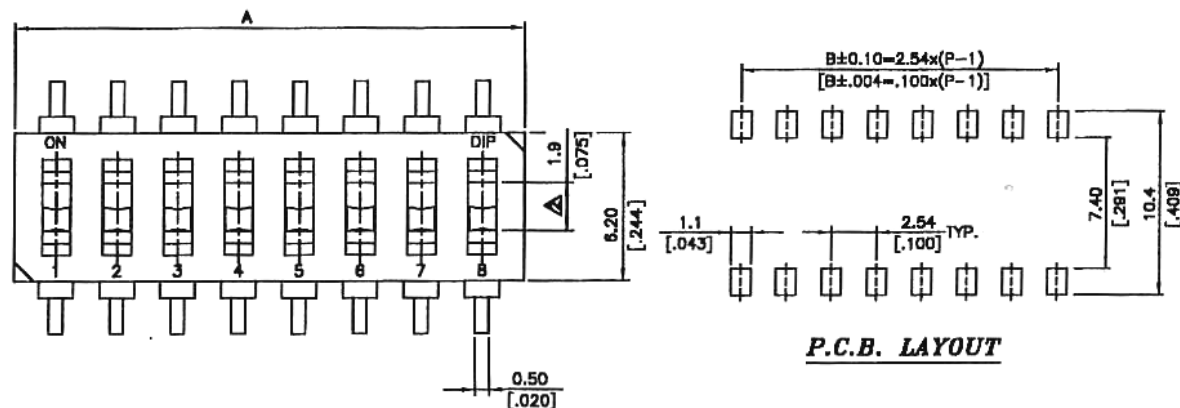


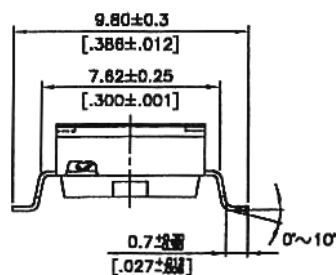
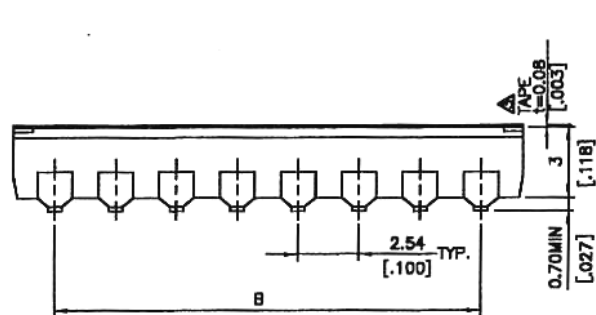
NOTE: 1. ALL DIMENSIONS ARE IN MILLIMETERS, BRACKETED DIMENSIONS ARE IN INCHES.

2. GENERAL TOLERANCES: MAX - ±0.20mm.

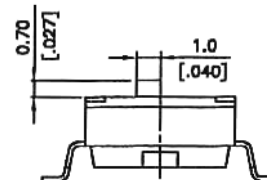
3. MATERIAL: SEE PAGE 3 OF 3.



P.C.B. LAYOUT



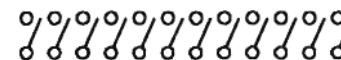
SHORT KEY



LONG KEY

| | | |
|-------------|--------------|--------------|
| 12 | 31.42[1.237] | 27.94[1.100] |
| 10 | 26.54[1.037] | 22.86[.900] |
| 9 | 23.80[.937] | 20.32[.800] |
| 8 | 21.26[.837] | 17.78[.700] |
| 7 | 18.72[.737] | 16.24[.600] |
| 6 | 16.18[.637] | 12.70[.500] |
| 5 | 13.64[.537] | 10.16[.400] |
| 4 | 11.10[.437] | 7.62[.300] |
| 3 | 8.56[.337] | 5.08[.200] |
| 2 | 6.02[.237] | 2.54[.100] |
| 1 | 3.48[.137] | — |
| NO. OF POS. | DIM. A | DIM. B |

SCHEMATIC(TYP.)



(1,2,3,4,5,6,7,8,9,10,12, POS AVAIL)

玄茂科技股份有限公司
HSUAN MAO TECHNOLOGY CO., LTD.

UNIT

SCALE

PART NAME

MM

1:1

S. M. T TYPE DIP SWITCH

制表日: 2000/05/14

DRAWING.

APPROVED

APPD.

CKD.

TOLERANCE

PART NO.

REV.

TINA

SHELLEY

C8303-XXXXJXB0

A