

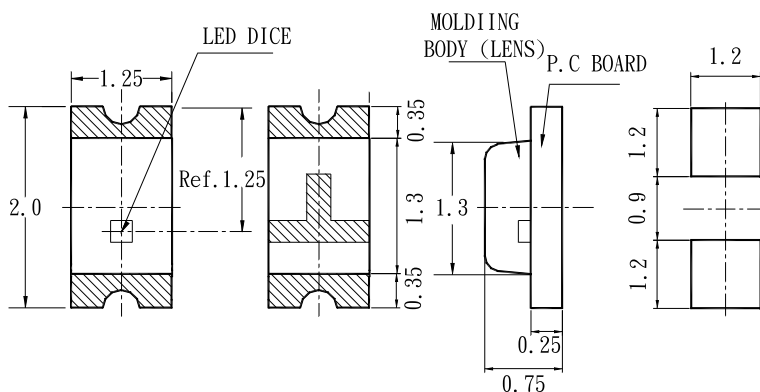
Device Selection Guide

Part Number EOS-	Luminous Intensity I_v (mcd) @ $I_f = 20$ mA		Viewing Angle $2\theta_{1/2}$ @ $I_f = 20$ mA	Dominant Wavelength λ_d (nm) @ $I_f = 20$ mA	V_f @ $I_f = 20$ mA		I_r (μ A) @ $V_r = 5$ V	Epoxy Color
	Min.	Typ.	Typ.	Typ.	Typ.	Max.	Max.	
17GWCC0-DF	20	30	135°	570	2.0	2.4	10	Clear

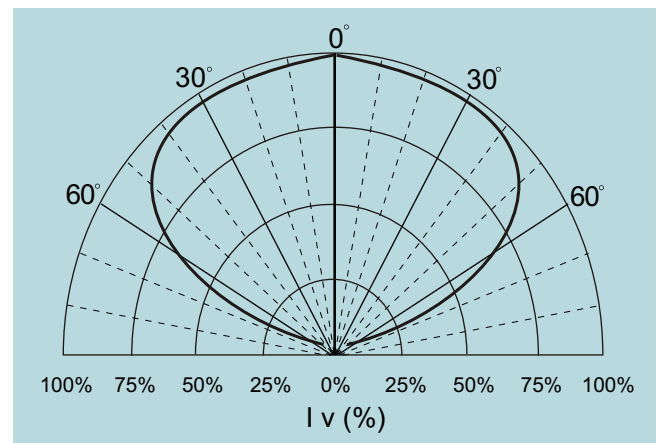
BIN#	E	F	G*
Intensity(mcd) @ $I_f = 20$ mA	20-27	27-38	38-54

Notes: [1] Tolerance for Min. Value $\pm 15\%$

Package Dimensions



Beam Pattern



Note:

- All dimensions are in millimeter (mm).
- Unspecified tolerance: ± 0.20 mm.
- Protruded resin 1.5mm max.
- Lead spacing is measured where the leads emerge from the package
- Specifications are subject to change without notice.

Absolute Maximum Ratings at $T = 25^\circ\text{C}$

Parameter	Symbol	
Peak Forward Current	I_{fm}	65mA
Average Forward Current	I_f	20mA
Reverse Voltage	V_r	6V
Operating Temperature Range	T_{opr}	-25°C to + 80°C
Storage Temperature Range	T_{sto}	-30°C to + 85°C
Lead Soldering Temperature	T_{sol}	260°C / 5 Secondes

Notes: Duty Ratio=1/10, Pulse Width=0.1 ms