

# .156" (3.96mm) Center Wafer Assembly

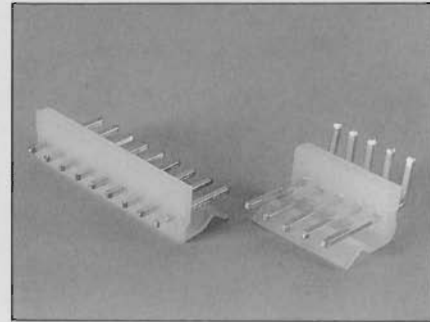
## PWL Series

### Features:

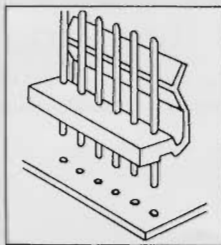
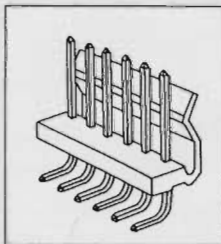
- 2-25 Circuits
- Friction Lock
- Nylon (UL 94V-2)
- .045" (1.14mm) square or round wire pins
- Straight or right angle pins
- Mates with .156" (3.96mm) Centerline Crimp Connector

### Specifications:

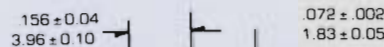
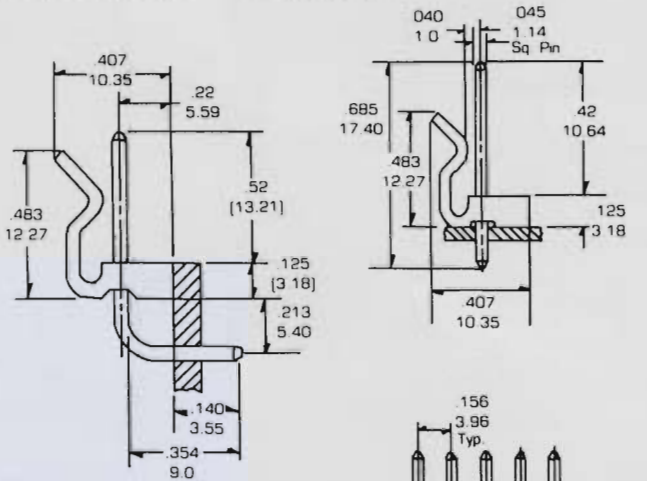
- Current rating: 7A AC, DC
- Voltage rating: 250V AC, Maximum
- Temperature range: -25°C ~ +90°C
- Contact resistance: Initial Value/10mΩ max.  
After environmental testing/20mΩ max.
- Insulation resistance: 1,000 MΩ min
- Withstand Voltage: 1500V AC/minute
- Applicable PC board thickness: .063" (1.6mm)



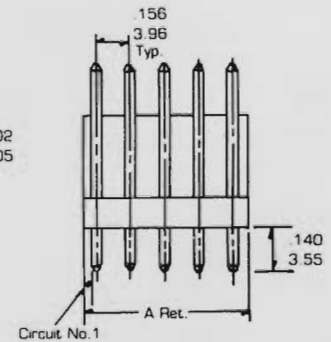
R: Right Angle Type      S: Straight Type



Inches  
mm



Recommended P.C. Board  
Hole Dimensions



### Dimensional Information PWL Series

Circuits	Dim. A	Circuits	Dim. A	Circuits	Dim. A	Circuits	Dim. A	Circuits	Dim. A	Circuits	Dim. A
PWL-2: S R	.31 ± .008 7.92 ± 0.20	PWL-6: S R	.93 ± .010 23.67 ± 0.25	PWL-10: S R	1.56 ± .012 39.52 ± 0.30	PWL-14: S R	2.18 ± .014 55.37 ± 0.36	PWL-18: S R	2.804 ± .009 71.22 ± 0.23	PWL-22: S R	3.428 ± .018 87.07 ± 0.46
PWL-3: S R	.46 ± .010 11.79 ± 0.25	PWL-7: S R	1.09 ± .012 27.64 ± 0.30	PWL-11: S R	1.71 ± .012 43.48 ± 0.30	PWL-15: S R	2.34 ± .014 59.33 ± 0.36	PWL-19: S R	2.960 ± .014 65.18 ± 0.36	PWL-23: S R	3.584 ± .018 91.03 ± 0.46
PWL-4: S R	.62 ± .010 15.75 ± 0.25	PWL-8: S R	1.24 ± .012 31.60 ± 0.30	PWL-12: S R	1.87 ± .012 47.45 ± 0.30	PWL-16: S R	2.492 ± .007 63.30 ± 0.18	PWL-20: S R	3.116 ± .018 79.15 ± 0.46	PWL-24: S R	3.740 ± .018 95.00 ± 0.46
PWL-5: S R	.78 ± .010 19.71 ± 0.25	PWL-9: S R	1.40 ± .012 35.56 ± 0.38	PWL-13: S R	2.02 ± .014 51.41 ± 0.36	PWL-17: S R	2.648 ± .008 67.26 ± 0.20	PWL-21: S R	3.272 ± .018 83.11 ± 0.46	PWL-25: S R	3.896 ± .018 98.96 ± 0.46

### Contact Type

S: Straight

R: Right Angle