



LT98XX-81

8.0MM ROUND LAMP

Features

- * LOW CURRENT REQUIREMENTS
- * HIGH LIGHT OUTPUT
- * RELIABLE AND RUGGED
- * IC COMPATIBLE

Absolute Maximum Ratings at T_A=25°C

REVERSE VOLTAGE (<100 μA).....	GaAsP RED 3.0 V , OTHER 5.0V
D.C. FORWARD CURRENT.....	30mA
PULSE CURRENT (1/10 DUTY CYCLE,0.1 ms PULSE WIDTH).....	100 mA
OPERATING TEMPERATURE RANGE.....	-25°C TO +85°C
STORAGE TEMPERATURE RANGE.....	-25°C TO +100°C
LEAD SOLDERING TEMP. (1.6mm FROM BODY).....	260°C FOR 5 SEC.

Electrical/optical characteristics at T_A=25°C

PART NUMBER	LED CHIP	LED CHIP		LEN'S COLOR		PEAK WAVELENGTH @20 mA (nm)	FORWARD VOLTAGE @20mA(V)		LUMINOUS INTENSITY @20mA(mcd)		VIEW ANGLE 2θ _{1/2} (deg)
		MATERIAL	EMITTING COLOR				TYP.	MAX.	MIN.	TYP.	
LT9811-81-D01	LT9812-81-D01	GaAsP	RED	R.D	W.D	655	1.7	2.0	1.6	1.7	40
LT9811-81	LT9812-81	GaP	RED	R.D	W.D	700	2.1	3.0	2.5	4.1	40
LT9821-81	LT9822-81	GaP	GREEN	G.D	W.D	567	2.1	2.6	12.0	20.0	40
LT9831-81	LT9832-81	GaAsP ON GaP	YELLOW	Y.D	W.D	585	2.1	3.0	9.8	16.4	40
LT9841-81	LT9842-81	GaAsP ON GaP	ORANGE	O.D	W.D	635	2.1	3.0	13.9	23.1	40
LT9841R-81		GaAsP ON GaP	ORANGE	R.D		635	2.1	3.0	13.9	23.1	40
LT9813-81-D01	LT9814-81-D01	GaAsP	RED	W.C	R.C	655	1.7	2.0	5.5	9.2	32
LT9813-81	LT9814-81	GaP	RED	W.C	R.C	700	2.1	3.0	8.4	14.0	32
LT9823-81	LT9824-81	GaP	GREEN	W.C	G.C	567	2.1	2.6	40.9	68.1	32
LT9833-81	LT9834-81	GaAsP ON GaP	YELLOW	W.C	Y.C	585	2.1	3.0	33.5	55.8	32
LT9843-81	LT9844-81	GaAsP ON GaP	ORANGE	W.C	O.C	635	2.1	3.0	47.3	78.8	32
	LT9844R-81	GaAsP ON GaP	ORANGE		R.C	635	2.1	3.0	47.3	78.8	32

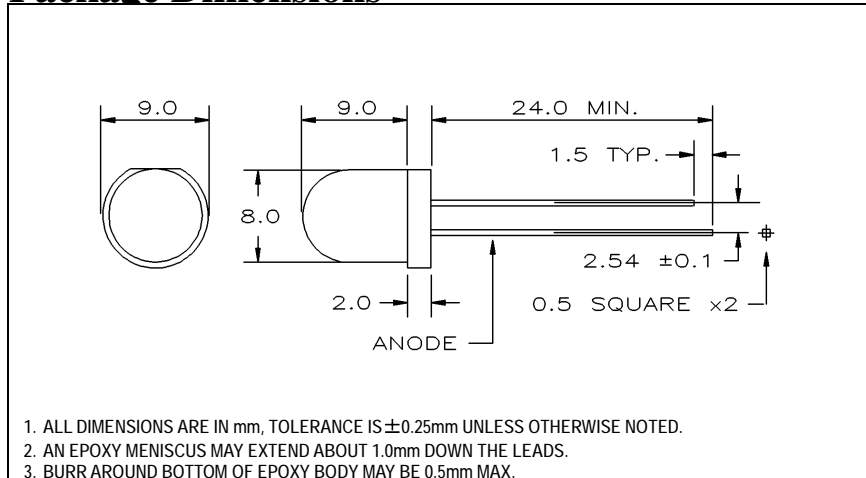
(1) LEN'S COLOR

- | | |
|-------------------------|----------------------|
| R.D.....RED DIFFUSED | R.C.....RED CLEAR |
| G.D.....GREEN DIFFUSED | G.C.....GREEN CLEAR |
| Y.D.....YELLOW DIFFUSED | Y.C.....YELLOW CLEAR |
| O.D.....ORANGE DIFFUSED | O.C.....ORANGE CLEAR |
| W.D.....WHITE DIFFUSED | W.C.....WATER CLEAR |

(2) SPECIFICATIONS ARE SUBJECT TO CHANGE WITHOUT NOTICE.

(3) ALL ABOVE COMPONENTS ARE CONSIDERED . DEVIATIONS FROM STATED SPECIFICATIONS WILL REQUIRE A NEW PART NUMBER BE ASSIGNED .

Package Dimensions



Radiation Pattern

