

10 9 8 7 6 5 4 3 2 1

F

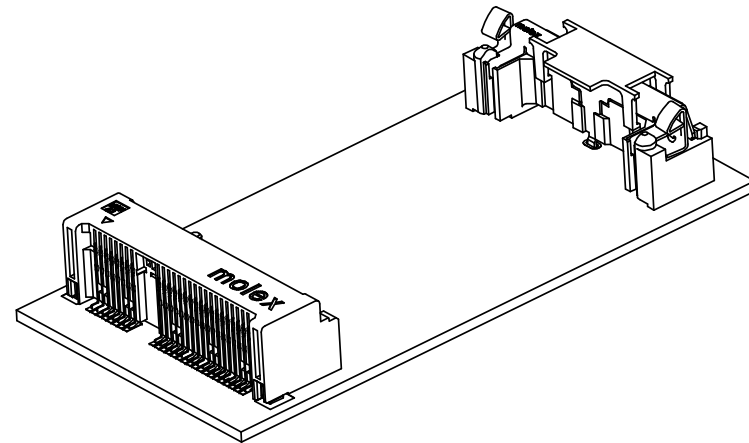
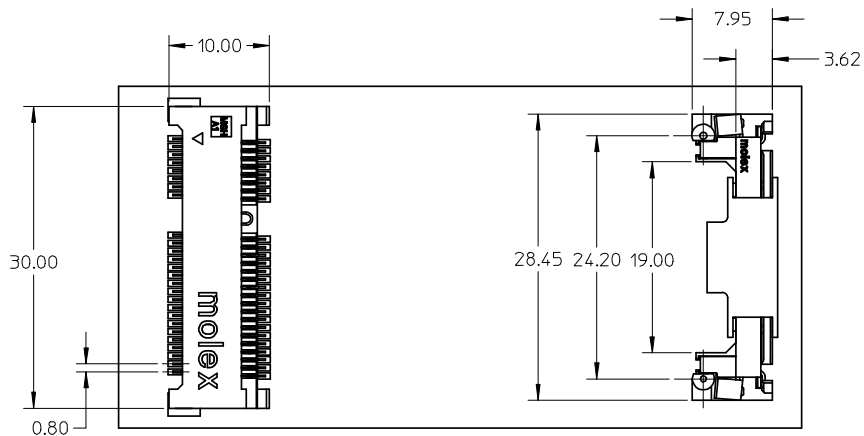
E

D

C

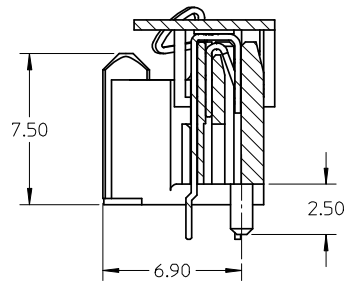
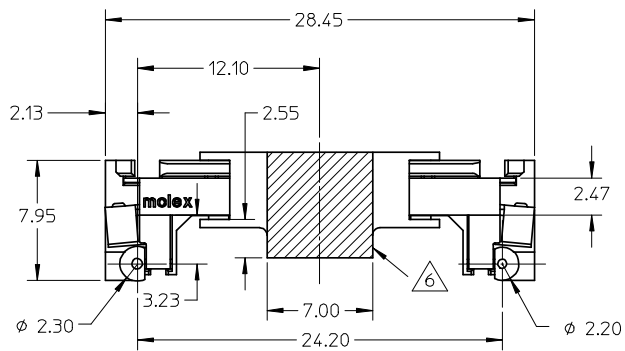
B

A

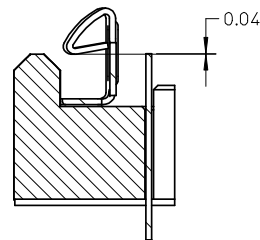


<p>NEW RELEASE EC NO: SH2008-0172 DRW: D HU 2007/11/12 CHK: D ROST, ZHANG 2007/11/12 APPR: H WANG 2007/12/27</p>	<p>QUALITY SYMBOLS</p> <p>▽=0 ▽=0</p>	<p>GENERAL TOLERANCES (UNLESS SPECIFIED)</p> <table border="1"> <thead> <tr> <th></th> <th>mm</th> <th>INCH</th> </tr> </thead> <tbody> <tr> <td>4 PLACES</td> <td>± ---</td> <td>± ---</td> </tr> <tr> <td>3 PLACES</td> <td>± ---</td> <td>± ---</td> </tr> <tr> <td>2 PLACES</td> <td>± 0.25</td> <td>± ---</td> </tr> <tr> <td>1 PLACE</td> <td>± 0.25</td> <td>± ---</td> </tr> <tr> <td colspan="3">ANGULAR ± 3 °</td> </tr> </tbody> </table>		mm	INCH	4 PLACES	± ---	± ---	3 PLACES	± ---	± ---	2 PLACES	± 0.25	± ---	1 PLACE	± 0.25	± ---	ANGULAR ± 3 °			<p>DIMENSION STYLE</p> <p>MM ONLY</p>	<p>SCALE</p> <p>1:1</p>	<p>DESIGN UNITS</p> <p>METRIC</p>	<p>THIRD ANGLE PROJECTION</p>
		mm	INCH																					
	4 PLACES	± ---	± ---																					
	3 PLACES	± ---	± ---																					
2 PLACES	± 0.25	± ---																						
1 PLACE	± 0.25	± ---																						
ANGULAR ± 3 °																								
<p>REV</p>	<p>DRAFT WHERE APPLICABLE MUST REMAIN WITHIN DIMENSIONS</p>	<table border="1"> <tr> <td>DRAWN BY</td> <td>DATE</td> <td rowspan="4"> <p>TITLE</p> <p>LATCH FOR MINIPCI-E 0.8MM PITCH 52 CIRCUIT LEAD-FREE</p> </td> </tr> <tr> <td>DAVID HU</td> <td>2005/12/30</td> </tr> <tr> <td>CHECKED BY</td> <td>DATE</td> </tr> <tr> <td>HARVEY</td> <td>2005/12/30</td> </tr> <tr> <td>APPROVED BY</td> <td>DATE</td> <td rowspan="2"> <p>MOLEX INCORPORATED</p> </td> </tr> <tr> <td>GARY</td> <td>2005/12/30</td> </tr> </table>	DRAWN BY	DATE	<p>TITLE</p> <p>LATCH FOR MINIPCI-E 0.8MM PITCH 52 CIRCUIT LEAD-FREE</p>	DAVID HU	2005/12/30	CHECKED BY	DATE	HARVEY	2005/12/30	APPROVED BY	DATE	<p>MOLEX INCORPORATED</p>	GARY	2005/12/30	<p>MATERIAL NO.</p> <p>480999000</p>	<p>DOCUMENT NO.</p> <p>SD-48099-901</p>	<p>SHEET NO.</p> <p>1 OF 4</p>					
DRAWN BY	DATE	<p>TITLE</p> <p>LATCH FOR MINIPCI-E 0.8MM PITCH 52 CIRCUIT LEAD-FREE</p>																						
DAVID HU	2005/12/30																							
CHECKED BY	DATE																							
HARVEY	2005/12/30																							
APPROVED BY	DATE	<p>MOLEX INCORPORATED</p>																						
GARY	2005/12/30																							
<p>SIZE</p> <p>A3</p>	<p>THIS DRAWING CONTAINS INFORMATION THAT IS PROPRIETARY TO MOLEX INCORPORATED AND SHOULD NOT BE USED WITHOUT WRITTEN PERMISSION</p>																							

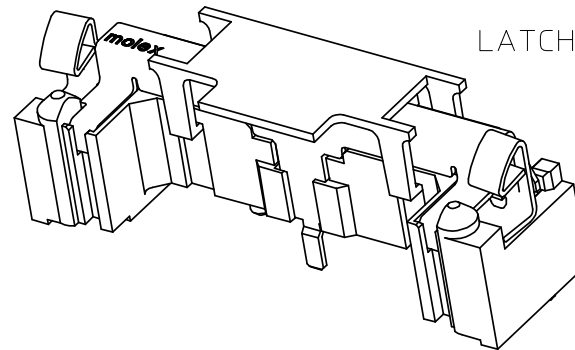
9 8 7 6 5 4 3 2 1



SECTION B-B

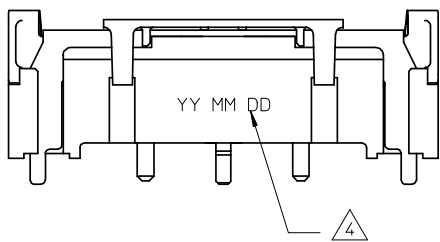
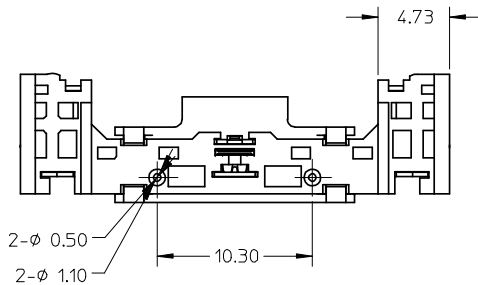
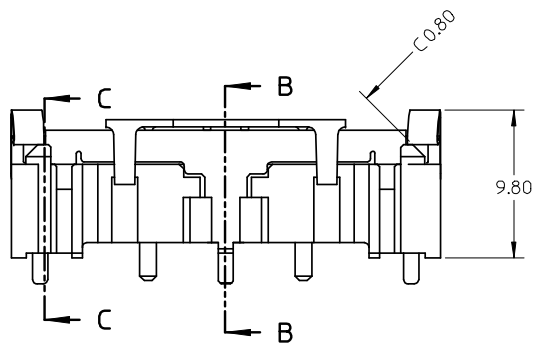


SECTION C-C

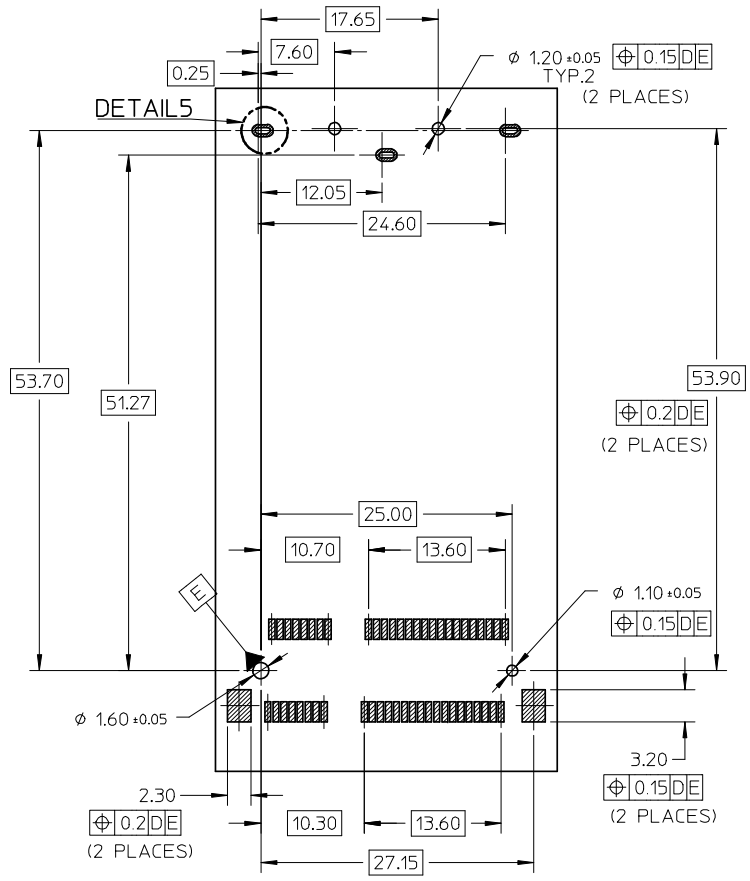


NOTES:

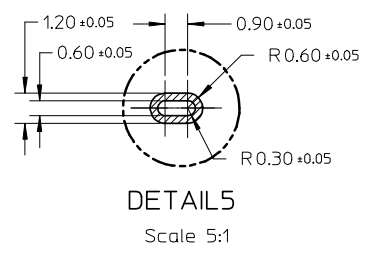
- THIS LATCH USES WITH MINIPCI EXPRESS CONN.
- HOUSING:PA46
GLASS FILLED,COLOR:BLACK UL94V-0
METAL SHELL:STAINLESS STEEL,THICKNESS:0.3MM
BEAM:STAINLESS STEEL,THICKNESS:0.3MM
- FINISH:TIN PLATED IN SOLDER AREA.
- DATE CODE:YY:YEAR MM:MONTH DD:DATE
- THE MOUDLE CARD REFERS TO MINI PCI EXPRESS CARD ELECTROMECHANICAL SPECIFICATION.
- FOR PICK AND PLACE AREA.
- MATCHED CONNECTOR:67910-9000,67910-9001
- PART 48099**** COMPLIANT TO ROHS DIRECTIVE 2002/95/EC AND ELV DIRECTIVE 2000/53/EC.



NEW RELEASE EC NO: SH2008-0172 DRW:DHU 2007/11/12 CHK:RST ZHANG 2007/11/12 APPR:HWANG 2007/12/27	QUALITY SYMBOLS ▽=0 ▽=0	GENERAL TOLERANCES (UNLESS SPECIFIED)		DIMENSION STYLE MM ONLY		SCALE 1:1	DESIGN UNITS METRIC	THIRD ANGLE PROJECTION		
			mm	INCH	DRAWN BY	DATE	TITLE			
		4 PLACES	± ---	± ---	DAVID HU	2005/12/30	LATCH FOR MINIPCI-E 0.8MM PITCH 52 CIRCUIT LEAD-FREE			
		3 PLACES	± ---	± ---	CHECKED BY	DATE				
2 PLACES	± 0.25	± ---	HARVEY	2005/12/30	MOLEX INCORPORATED					
1 PLACE	± 0.25	± ---	APPROVED BY	DATE						
	ANGULAR ± 3 °		GARY	2005/12/30	MATERIAL NO.		DOCUMENT NO.		SHEET NO.	
DRAFT WHERE APPLICABLE MUST REMAIN WITHIN DIMENSIONS			480999000		SD-48099-901		2 OF 4			
				SIZE	THIS DRAWING CONTAINS INFORMATION THAT IS PROPRIETARY TO MOLEX INCORPORATED AND SHOULD NOT BE USED WITHOUT WRITTEN PERMISSION					



DATUM D IS THE TOP SURFACE OF PCB



RECOMMENDED PCB LAYOUT

NEW RELEASE EC NO: SH2008-0172 DRW: DHU 2007/11/12 CHK: DROST ZHANG 2007/11/12 APPR: HWANG 2007/12/27	QUALITY SYMBOLS ▽=0 ▽=0	GENERAL TOLERANCES (UNLESS SPECIFIED)		DIMENSION STYLE MM ONLY		SCALE 1:1	DESIGN UNITS METRIC	THIRD ANGLE PROJECTION	
			mm	INCH	DRAWN BY	DATE	TITLE LATCH FOR MINIPCI-E 0.8MM PITCH 52 CIRCUIT LEAD-FREE		
		4 PLACES	± ---	± ---	DAVID HU	2005/12/30			
			± 0.25	± ---	CHECKED BY	DATE	MOLEX INCORPORATED		
3 PLACES	± ---	± ---	HARVEY	2005/12/30					
	± 0.25	± ---	APPROVED BY	DATE	MATERIAL NO. 480999000				
2 PLACES	± 0.25	± ---	GARY	2005/12/30					
	ANGULAR ± 3 °		MATERIAL NO.		DOCUMENT NO.		SHEET NO.		
	DRAFT WHERE APPLICABLE MUST REMAIN WITHIN DIMENSIONS		480999000		SD-48099-901		3 OF 4		
			SIZE A3		THIS DRAWING CONTAINS INFORMATION THAT IS PROPRIETARY TO MOLEX INCORPORATED AND SHOULD NOT BE USED WITHOUT WRITTEN PERMISSION				

