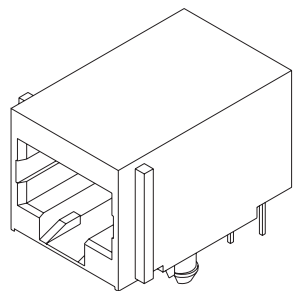


Modular Jack

43249

Right Angle, Low Profile Shielded and Unshielded Versions



Features and Benefits

- RJ-11 and RJ-45 available
- Optional full shield for RJ-45
- Option of flush or flangeless mount
- Select Gold plating, 50µ"
 - 100% tested for hi-pot and continuity
- Meets UL 1863 Sec. 8 Electrical Probe and UL 1863 Sec. 20 Child Finger Test

Reference Information

Product Specification: PSX-43249
 Packaging: Anti-static trays
 UL File No.: E107635
 CSA File No.: LR19980
 Mates With: FCC 68 plugs
 Designed In: Inches

Electrical

Voltage: 125V
 Current: 1.5A
 Contact Resistance: 10 milliohms max.
 Dielectric Withstanding Voltage: 1000V AC
 Insulation Resistance: 500 Megohms min.

Mechanical

Durability: 500 cycles min.

Physical

Housing: Black glass-filled nylon, UL 94V-0
 Contact: Phosphor Bronze
 Plating: Contact Area—1.27µm (50µ") min. Gold;
 Solder Tails—2.54µm (100µ") min. Tin,
 Nickel overall
 Operating Temperature: -40 to +80°C

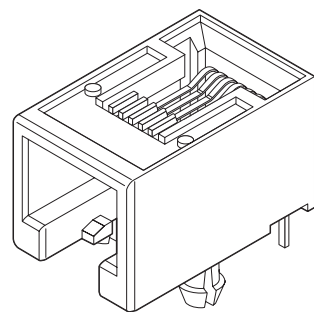
Circuits	Loaded Contacts	Shield Panel Ground Tab Options	Order No.				Lead-free
			Unshielded Flush Mount	Unshielded Flangeless	Front Position PCB Grounding Tabs	Rear Position PCB Grounding Tabs	
6	4	None	43249-6004	43249-6104			Yes
	6		43249-6001	43249-6101			
8	6	None	43249-8010	43249-8116			
	8	None	43249-8004	43249-8104			
		All panel ground tabs			43249-8919	43249-8927	
8	10	Offset panel ground tabs			43249-8918	43249-8926	
		Top panel ground tabs			43249-8917	43249-8925	
		No panel ground tabs			43249-8916	43249-8924	
		None	43249-8001	43249-8101			
		All panel ground tabs			43249-8903	43249-8911	
		Offset panel ground tabs			43249-8902	43249-8910	
		Top panel ground tabs			43249-8901	43249-8909	
No panel ground tabs			43249-8900	43249-8908			

Note: Visit www.molex.com for alternative circuit sizes, keying options and shield options.

Modular Jack

95001

Right Angle Low Profile



Features and Benefits

- Very low profile—about 3/4 that of industry standard
- Automatic placement possible
- Foot pattern identical to industry standard
- High reliability, square contact

Reference Information

Product Specification: PS-95001-E
 Packaging: Tray
 UL File No.: E107635
 CSA File No.: 89083
 Mates With: FCC 68 plugs
 Designed In: Millimeters

Electrical

Voltage: 125V
 Current: 1.5A
 Contact Resistance: 20 milliohms max.
 Dielectric Withstanding Voltage: 1000V
 Insulation Resistance: 500 Megohms min.

Physical

Housing: Standard—Black polyester, UL 94V-0
 High Temperature—Black polyamide, UL 94V-0
 Contact: Phosphor Bronze
 Plating: Post plate 1.27 to 1.52µm (50 to 60µ") Gold in contact area, 1.90µm (75µ") min. pure Tin in tail area both over Nickel overall
 Operating Temperature: -40 to +80°C

Circuits	Loaded Contacts	Order No.		Key	Lead-free
		Standard	High Temperature		
4	4	95001-2441	95001-8441	No	Yes
6	4	95001-2641	95001-8641	No	
6	6	95001-2661	95001-8661	No	
8	8	95001-2881	95001-8881	No	
8	8	95001-2882		Yes	