

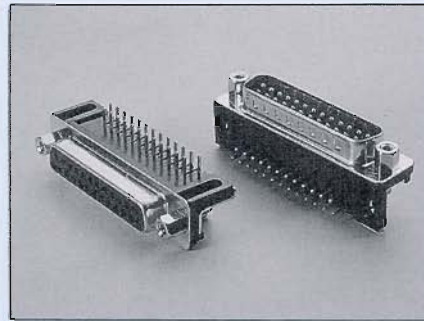
D-Subminiature Connector P.C.B. Right Angle Type (9.4mm)

DRB M Series

MALE

Specifications:

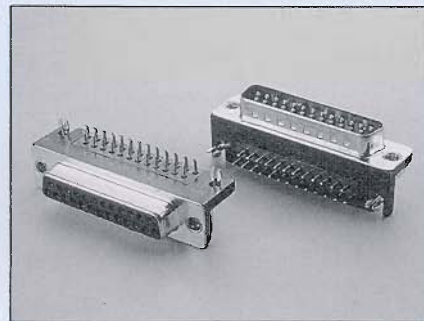
Shell: Steel Nickel plated
 Pin Contact: Phosphor bronze Gold plated over nickel
 Insulator: PBT & Glass-fiber reinforced UL-94V-0
 Number Of Contact: 9, 15, 25, 37
 Current Rating: 5 amp.
 Dielectric Strength: 1000V for one minute
 Insulator Resistance: 1000MΩ Min. at 500V DC
 Temperature: -55°C ~ +105°C



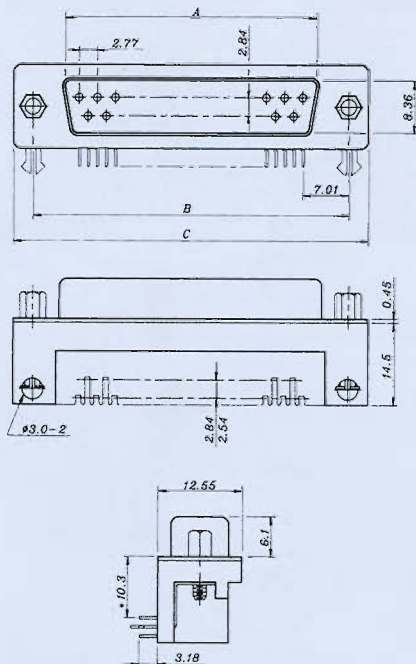
FEMALE

Specifications:

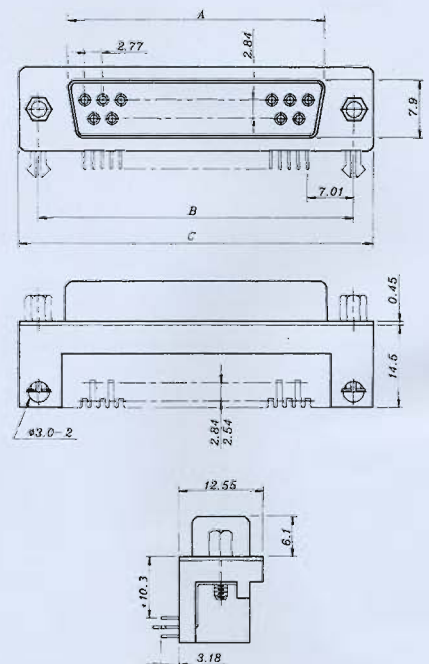
Shell: Steel Nickel plated
 Socket Contact: Phosphor bronze Gold plated over nickel
 Insulator: PBT & Glass-fiber reinforced UL-94V-0
 Number Of Contact: 9, 15, 25, 37
 Current Rating: 5 amp.
 Dielectric Strength: 1000V for one minute
 Insulator Resistance: 1000MΩ Min. at 5000V DC
 Temperature: -55°C ~ +105°C



MALE



FEMALE



D-PM - (SERIES) DIMENSIONS

Position	A	B	C
DRB-9PM	16.33	24.99	30.81
DRB-15PM	24.66	33.32	39.14
DRB-25PM	38.38	47.04	53.04
DRB-37PM	54.84	63.5	69.32

D-SM - (SERIES) DIMENSIONS

Position	A	B	C
DRB-9SM	16.33	24.99	30.81
DRB-15SM	24.66	33.32	39.41
DRB-25SM	38.38	47.04	53.04
DRB-37SM	54.84	63.5	69.32