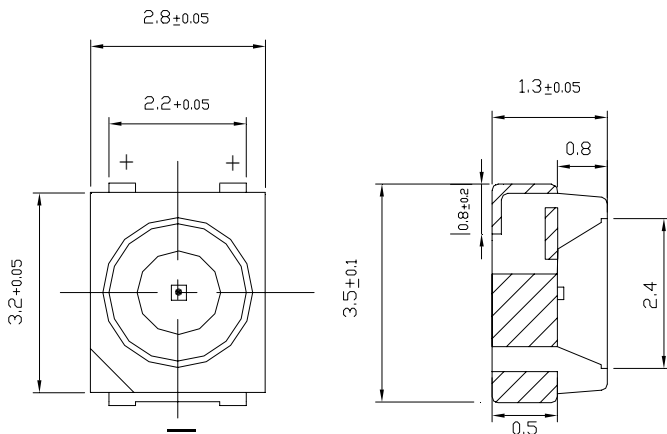


## Device Selection Guide

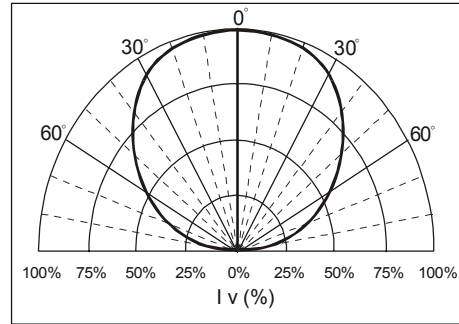
Part Number EOS-	Luminous Intensity Iv(mcd) @ I <sub>F</sub> = 150mA		Viewing Angle 2θ <sub>1/2</sub>	Dominant Wavelength λ <sub>D</sub> (nm) @ I <sub>F</sub> = 150mA	Forward Voltage V <sub>F</sub> (V) @ I <sub>F</sub> = 150 mA		I <sub>R</sub> (μA) @ V <sub>R</sub> = 5V
	Min.	Typ.	Typ.	Typ.	Typ.	Max.	Max.
EOS-9ABSCR0-EL	715	1500	120°	470	3.8	4.25	10

BIN #	4V	5V	4W	5W	4X
Intensity (mcd) @ I <sub>F</sub> = 150mA	715-900	900-1125	1125-1400	1400-1800	1800-2240

## Package Dimensions



## Beam Pattern



**Note:**

- All dimensions are in millimeter.
- Tolerance is ±0.20mm unless otherwise note.
- Specifications are subject to be changed without notice.

## Absolute Maximum Ratings at T<sub>A</sub> = 25°C

Parameter	Symbol	Maximum Value	USER---APPROVED
Average Forward Current	I <sub>F</sub>	150mA	
Peak Forward Current <sup>[a]</sup>	I <sub>peak</sub>	200mA	
Reverse Voltage	V <sub>R</sub>	5V	
Power Dissipation	P <sub>D</sub>	637.5mW	
Operating Temperature Range	T <sub>OPR</sub>	-40°C ~ + 85°C	
Storage Temperature Range	T <sub>STO</sub>	-40°C ~ + 100°C	
Lead Soldering Temperature	T <sub>SOL</sub>	260°C / 5 seconds	

Notes: [a] t<sub>p</sub> ≤ 10 μs, Duty Cycle = 0.005

### Headquarters

5F, No. 1, Creation Road II, Hsinchu Science Park,  
Hsinchu, Taiwan 300, R.O.C.

Tel : 886-3-5679000 Fax : 886-3-5679999

http://www.eoi.com.tw E-mail : Service@eoi.com.tw

### U.S. Office

1400 W. Lambert Road, Suite B,  
Brea, CA92821, U.S.A

Tel : 1-562-694-1246 Fax : 1-562-691-3087

http://www.eoi-us.com E-mail : Sales@eoius.com

