

Balck Housing 2.54 Series

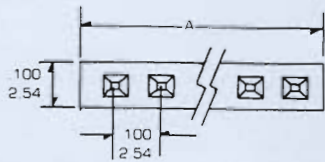
Features:

- Mini latch housing: Black polyphenylens oxidebased resin in accordance with UL 94V-1
- Single Row, .100" (2.54mm)
- Mates with .025" (0.64mm) pins
- Accepts double cantilever crimp terminal
- Mini latch housing available integrally molded

Specifications:

- Current rating: 3A AC, DC
- Voltage rating: 250V AC, Maximum
- Temperature range: -25°C ~ + 90°C
- Contact resistance: Initial Value/10mΩ max. After environmental testing/20mΩ max.
- Insulation resistance: 1,000 MΩ min
- Withstand Voltage: 1500V AC/minute
- Applicable wires: AWG # 30~#22

BLS Type Single Row Housing 1 ~ 40 Circuits



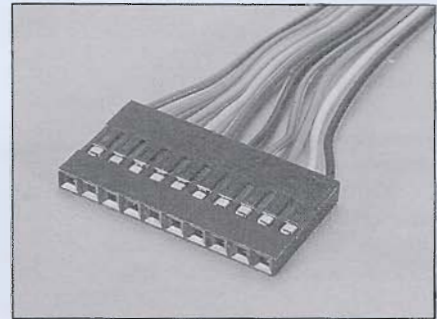
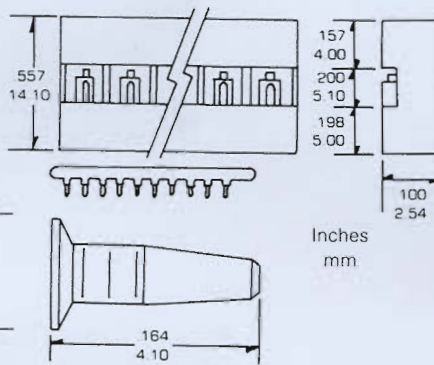
Polarizing Plug
For Mini and Maxi Latch Housing

Material:

White nylon, UL 94 V-0

Temperature Range:

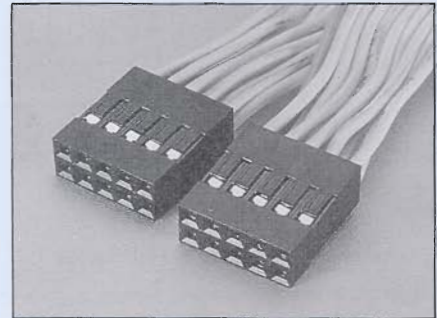
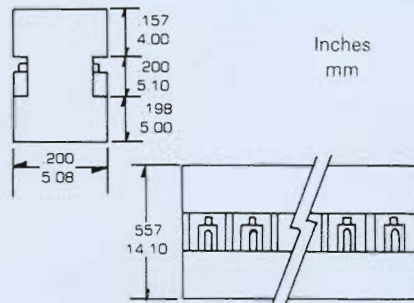
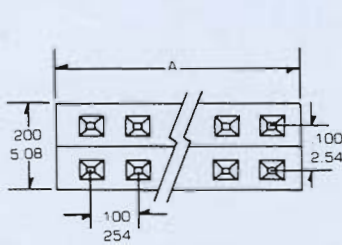
- 40°C to + 105°C



Dimensional Information BLS Series

Circuits	Dim.A ± .008 0.20	Circuits	Dim.A ± .008 0.20	Circuits	Dim.A ± .008 0.20	Circuits	Dim.A ± .008 0.20	Circuits	Dim.A ± .008 0.20	Circuits	Dim.A ± .008 0.20	Circuits	Dim.A ± .008 0.20
BLS-1	.100 2.54	BLS-7	.700 17.78	BLS-13	1.300 33.02	BLS-19	1.900 48.26	BLS-25	2.500 63.50	BLS-31	3.100 78.74	BLS-37	3.700 83.98
BLS-2	.200 5.08	BLS-8	.800 20.32	BLS-14	1.400 35.56	BLS-20	2.000 50.80	BLS-26	2.600 66.04	BLS-32	3.200 81.28	BLS-38	3.800 96.52
BLS-3	.300 7.62	BLS-9	.900 22.86	BLS-15	1.500 38.10	BLS-21	2.100 53.34	BLS-27	2.700 68.58	BLS-33	3.300 83.82	BLS-39	3.900 99.06
BLS-4	.400 10.16	BLS-10	1.000 25.40	BLS-16	1.000 40.64	BLS-22	2.200 55.88	BLS-28	2.800 71.12	BLS-34	3.400 86.36	BLS-40	4.000 101.6
BLS-5	.500 12.70	BLS-11	1.100 27.94	BLS-17	1.700 43.18	BLS-23	2.300 58.42	BLS-29	2.900 73.66	BLS-35	3.500 88.90		
BLS-6	.600 15.24	BLS-12	1.200 30.48	BLS-18	1.800 45.72	BLS-24	2.400 60.96	BLS-30	3.000 76.20	BLS-36	3.600 91.44		

BLD Type Dual Row Housing 2 ~ 80 Circuits



Dimensional Information BLD Series

Circuits	Dim.A ± .008 0.20	Circuits	Dim.A ± .008 0.20	Circuits	Dim.A ± .008 0.20	Circuits	Dim.A ± .008 0.20	Circuits	Dim.A ± .008 0.20	Circuits	Dim.A ± .008 0.20	Circuits	Dim.A ± .008 0.20
BLD-4	.200 5.08	BLD-16	.800 20.32	BLD-28	1.400 3.56	BLD-40	2.000 50.80	BLD-52	2.600 66.04	BLD-64	3.200 81.28	BLD-76	3.800 96.52
BLD-6	.300 7.62	BLD-18	.900 22.86	BLD-30	1.500 38.10	BLD-42	2.100 53.34	BLD-54	2.700 68.58	BLD-66	3.300 83.82	BLD-78	3.900 99.06
BLD-8	.400 10.16	BLD-20	1.000 25.40	BLD-32	1.600 40.64	BLD-44	2.200 55.88	BLD-56	2.800 71.12	BLD-68	3.400 86.36	BLD-80	4.000 101.60
BLD-10	.500 12.70	BLD-22	1.100 27.94	BLD-34	1.700 43.18	BLD-46	2.300 58.42	BLD-58	2.900 73.66	BLD-70	3.500 88.90		
BLD-12	.600 15.24	BLD-24	1.200 30.48	BLD-36	1.800 45.72	BLD-48	2.400 60.96	BLD-60	3.000 76.20	BLD-72	3.600 91.44		
BLD-14	.700 17.78	BLD-26	1.300 33.02	BLD-38	1.900 48.52	BLD-50	2.500 63.50	BLD-62	3.100 78.74	BLD-74	3.700 93.98		