

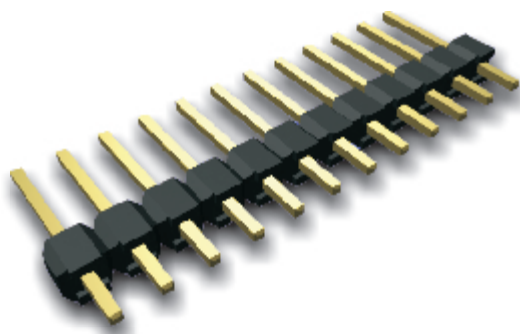
# Series 710 & 750

## SPECIFICATIONS

技術資料

### Pin Header / Board Spacer

For Customer Made Item



#### MATERIAL

- **Insulator:** (Black) Glass filled polyester (UL 94 V-0)
- **Contact:** Phosphor Bronze or brass
- **Surface of contact:** Gold or tin selected gold plating

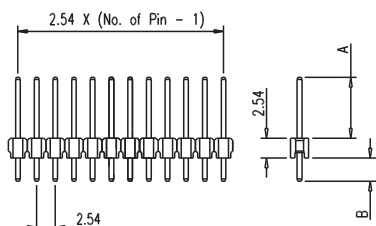
#### ELECTRICAL

- **Current Rating:** 4Amp continues
- **Contact Resistance:** ≤15mΩ
- **Insulation Resistance:** ≥5000mΩ
- **Withstanding Voltage:** 1000 VRMS

#### MECHANICAL

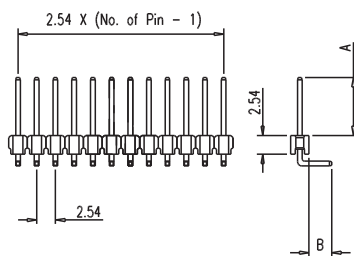
- **Retention Force:** >2kg per pin
- **Operating temperature:** -60°C to +125°C

#### STRAIGHT PIN, SINGLE ROW



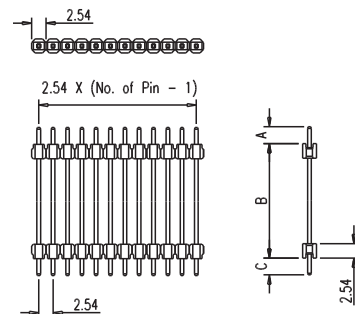
710-XX1-1X-XX

#### RIGHT ANGLE, SINGLE ROW



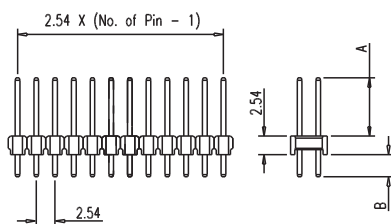
710-XX1-2X-XX

#### SERIES 750, SINGLE ROW



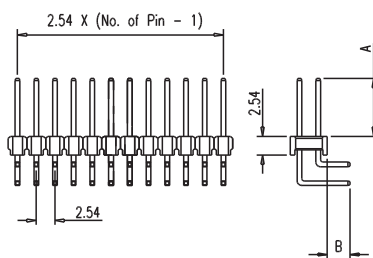
750-XX1-1X-XX

#### STRAIGHT PIN, DOUBLE ROW



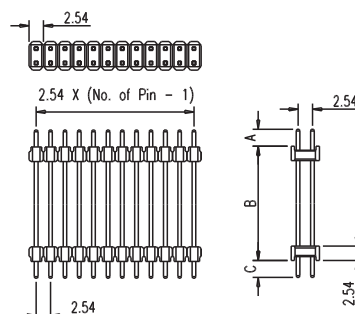
710-XX2-1X-XX

#### RIGHT ANGLE, DOUBLE ROW



710-XX2-2X-XX

#### SERIES 750, DOUBLE ROW



750-XX2-1X-XX



### HOW TO ORDER 排序整理



Series No. 系列編號	No. of Pin per Row 1-40 Pin 針腳數目(每行)	No. of Row	Pin Style	Plating	Factory Code
1	Single	1	Straight	1 Gold Flash	
2	Double	2	Right Angle	2 10μ Gold Plated	
3				3 Tin Plated	