

## Features

- \* BUILT - IN OSCILLATOR AND RESISTOR.
- \* HIGH LIGHT OUTPUT.
- \* RELIABLE AND RUGGED.

## Absolute Maximum Ratings at $T_A=25^\circ\text{C}$

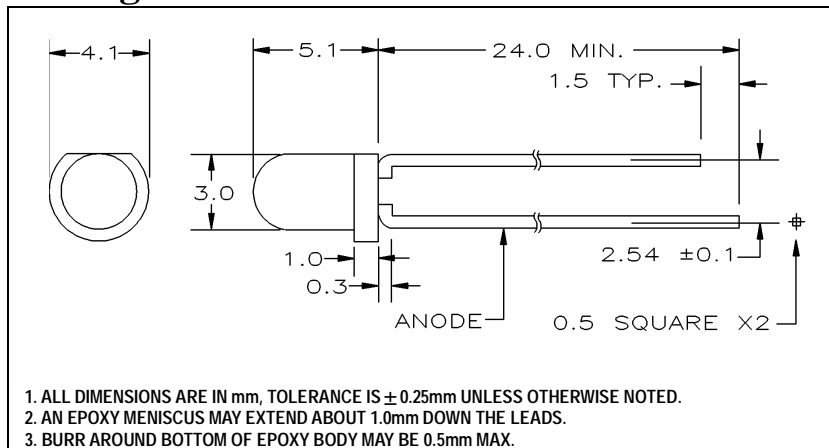
OPERATING VOLTAGE .....	3 TO 5.0 V
PEAK REVERSE VOLTAGE.....	30 mA
OPERATING TEMPERATURE RANGE.....	-25°C TO +85°C
STORAGE TEMPERATURE RANGE.....	-25°C TO +100°C
LEAD SOLDERING TEMP. (1.6mm FROM BODY).....	260°C FOR 5 SEC.

## Electrical/optical characteristics at $T_A=25^\circ\text{C}$

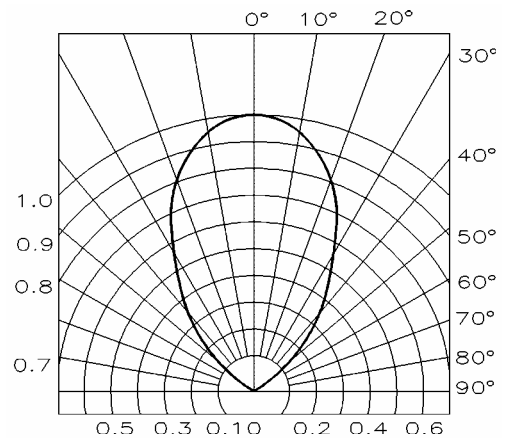
PART NUMBER	EMITTING COLOR	LENS COLOR	PEAK WAVELENGTH @5V(nm)	APPLIED VOLTAGE (V)		LUMINOUS INTENSITY @5V(mcd)		FLASHING FREQUENCY @5V(Hz)	VIEW ANGLE $2\theta_{1/2}$ (deg)
				MIN.	MAX.	MIN.	TYP.		
LT0321F-71	GREEN	G.D.	572	3.0	5.0	1.2	2.0	2.4	65

- (1) LENS COLOR  
G.D. GREEN DIFFUSED
- (2) SPECIFICATIONS ARE SUBJECT TO CHANGE WITHOUT NOTICE.
- (3) ALL ABOVE COMPONENTS ARE CONSIDERED . DEVIATIONS FROM STATED SPECIFACATIONS WILL REQUIRE A NEW PART NUMBER BE ASSIGNED .

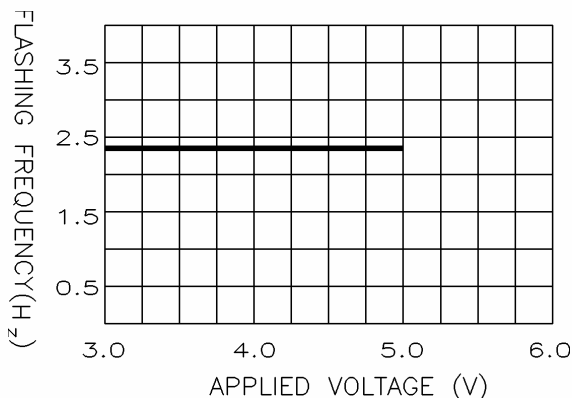
## Package Dimensions



## Radiation Pattern



## Flashing Frequency VS. Applied Voltage



## Forward Current VS. Applied Voltage

