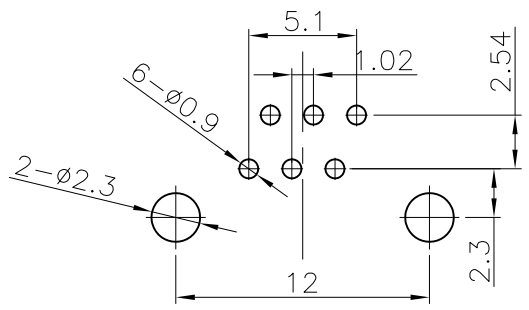
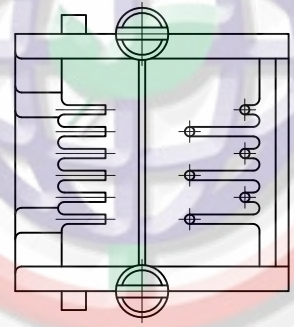


REV.	DESCRIPTION	DRAWN	CHECKED	APPROVED
A	NEW RELEASE	LL 06/26/06'		LJC 06/26/06'
B	DRAWING UPDATE	JLZ 08/17/16'	HZW 08/17/16'	LJC 08/17/16'
C	DRAWING UPDATE	JLZ 03/30/18'		



RECOMMEND PCB LAYOUT(TOLERANCE=±0.05)



SPECIFICATION

- Insulation Resistance:1000MΩ Min.
- Withstand Voltage:500V AC/Minute.
- Durability:600 Mating Cycles Min.
- Product Number Code:

DS1133-X X X X X X

Ear Support
S:W/ Ear
X:W/O Ear

Housing Materials
P:PBT
N:NYLON

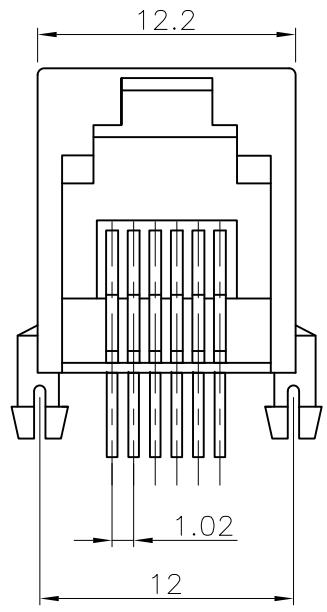
Housing Color
A:Gray
B:Black

Contact Plating
0:Gold Flash
3:3u" Gold
6:6u" Gold
15:15u" Gold
30:30u" Gold

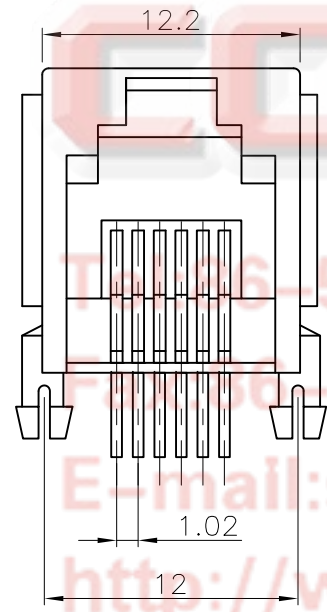
No.Of Contacts
6:6P6C 4:6P4C 2:6P2C

Connector Type
S:Socket

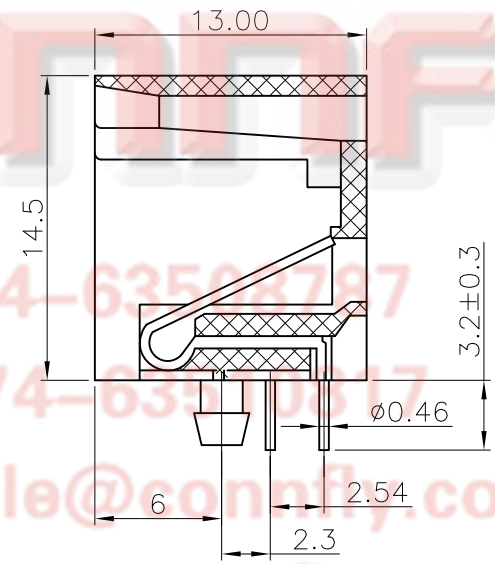
Series No.
DS1133



W/O EAR




W/ EAR



GENERAL TOLERANCE		ANGLE TOLERANCE	
.X	±0.60	.X	±5°
.X	±0.38	.X	±3°
.XX	±0.25	.XX	±2°

PROJECTION		TITLE	
UNITS	mm	PCB JACK 6P	
SHEET SIZE	A4	SERIES	DS1133 SERIES

DRAWING TYPE	CUSTOMER		
SCALE	1:1	SHEET	1 OF 1
DRAWING NO.	C-DS1133-XXXXXX-C		


晨翔电子有限公司
CONNFLY CONNFLY ELECTRONIC CO. LTD

Tel: +86-574-63588787
 Fax: +86-574-63588787
 E-mail: sale@connfly.com
 http://www.connfly.com
 Add: East Industry Zone, Ningbo City, Zhejiang
 Town, Ningbo City, Zhejiang
 P.C: 315333