

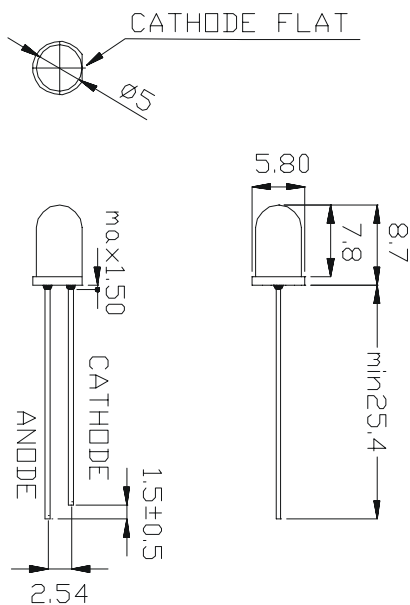
Device Selection Guide

| Part Number EOL- | Luminous Intensity I _v (mcd) @ I _F = 20mA | | Viewing Angle 2θ _{1/2} | Dominant Wavelength λ _D (nm) @ I _F = 20mA | Forward Voltage V _F (V) @ I _F = 20 mA | | I _R (μA) @ V _R = 5V | Stand Off | Epoxy Color |
|---------------------|--|------|------------------------------------|--|--|------|--|-----------|-------------|
| | Min. | Typ. | Typ. | Typ. | Typ. | Max. | Max. | | |
| K1RCCC0-KK | 5520 | 8100 | 15° | 623 | 2.0 | 2.4 | 10 | No | Clear |

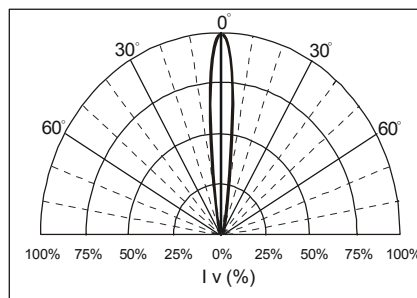
| BIN # | W | X | Y* | | |
|---|-----------|------------|-------------|--|--|
| Intensity (mcd) @ I _F =20mA | 5520-7735 | 7735-10830 | 10830-15160 | | |

Note : [*] Bin with less distribution.

Package Dimensions



Beam Pattern



Note:

- All dimensions are in millimeter.
- Unspecified tolerance : ±0.20mm.
- Protruded resin under bottom surface of epoxy is 1.5mm max.
- Lead spacing is measured where the leads emerge from the package
- Specifications are subject to be changed without notice.

Absolute Maximum Ratings at T_A = 25°C

| Parameter | Symbol | Maximum Value | USER---APPROVED |
|-------------------------------------|-------------------|-------------------|-----------------|
| Average Forward Current | I _F | 30mA | |
| Peak Forward Current ^[a] | I _{peak} | 100mA | |
| Reverse Voltage | V _R | 5V | |
| Power Dissipation | P _D | 72mW | |
| Operating Temperature Range | T _{OPR} | -40°C ~ + 85°C | |
| Storage Temperature Range | T _{STO} | -40°C ~ + 100°C | |
| Lead Soldering Temperature | T _{SOL} | 260°C / 5 seconds | |

Notes: [a] Duty Ratio = 1/10, Pulse Width = 0.1ms.

Headquarters

5F, No. 1, Creation Road II, Hsinchu Science Park,
Hsinchu, Taiwan 300, R.O.C.
Tel : 886-3-5679000 Fax : 886-3-5679999
http://www.eoi.com.tw E-mail : Service@eoi.com.tw

U.S. Office

1400 W. Lambert Road, Suite B,
Brea, CA92821, U.S.A
Tel : 1-562-694-1246 Fax : 1-562-691-3087
http://www.eoi-us.com E-mail : Sales@eoius.com

